

Corona Compressed Air Site Preparation Guide



Contents

Customer Responsibilities	3
Change History	4
Related Manuals	4
Safety Notices	5
Safety Notice to Users	5
Technical Specifications	6
Environment	6
Generator Outlets	6
Electrical Requirements	6
General	6
Site preparation	7
Environmental control	7
Space provision	8
Electrical requirements	9
Unpacking	12
Space Required	12
Unpacking Instructions	12
Copper Tubing	13
Stacking Units	14

Customer Responsibilities

To ensure a successful and timely installation of your Peak generator, please refer to this set of requirements.

Correct site preparation is the first key step in ensuring that your generator and systems operate reliably over an extended lifetime.

This document is an information guide and checklist that outlines the requirements for your site.

It is essential your site meets the following specification prior to the installation date.

For details, see specific sections within this document

- The necessary spatial requirements are met.
- The correct environment is provided for the generator.
- Electrical outlet locations and quantities are planned.
- Adequate exhaust ventilation is provided.
- The correct tubing lengths and diameters are used in relation to the distance from the instrument.

Failure to meet the Site requirements of your Peak generator as stated above and detailed in this document could result in the unit underperforming and **possible loss of warranty.**

Please sign below to confirm your compliance with the aforementioned requirements.

Once complete please return to Peak Scientific, or whomever the unit was purchased from.

Return addresses can be found on the back page of this document.

Name: _____ Company: _____

Signed: _____ Date: _____

Model: _____ Cust. Sales Order No.: _____

Change History

Rev.	Comment	Name	Date
1			
2			
3			
4			



Related Manuals

Document number	Manual name	Description
UM-CoronaCompressedAir	Corona Compressed Air User Manual	Describes the operation of the generator and all service requirements. Supplied with the generator.
IG-CoronaCompressedAir	Corona Compressed Air Installation Guide	Details the installation process of the generator. Supplied with the generator.

Safety Notices

Symbols

This manual uses the following symbols to highlight specific areas important to the safe and proper use of the Generator:

	<p>A WARNING notice denotes a hazard. It calls attention to an operating procedure, process or similar, which if not correctly performed or adhered to, could cause personal injury or in the worst case death. Do not proceed beyond a WARNING notice until the indicated conditions are fully understood or met.</p>
	<p>A CAUTION notice denotes a hazard. It calls attention to an operating procedure, process or similar, which if not correctly performed or adhered to, could cause damage to the Generator or the application. Do not proceed beyond a CAUTION notice until the indicated conditions are fully understood or met.</p>

Safety Notice to Users



This site preparation guide must be read thoroughly and understood before installation and operation of your Peak Corona Compressed Air Generator. Incorrect preparation or use of the Generator in a manner not specified by Peak Scientific MAY impair the SAFETY provided by the equipment.



When handling, operating or preparing for installation, personnel must employ safe practices and observe all relevant local health and safety requirements and regulations. The attention of UK users is drawn to the Health and Safety at Work Act 1974, and the Institute of Electrical Engineers regulations.

Technical Specifications

Environment

Min/Max Operating Ambient Temperature	5°C - 35°C / 41°F - 95°F
Maximum Altitude	2000 metres
Maximum Relative Humidity	80%
Min/Max Storage Temperature	-20°C - 60°C / -4°F - 140°F

Generator Outlets

Max Flow Rate	32 l/min
Max Pressure	110 psi / 7.58 bar
Particles	<0.01µm
Phthalates	None
Suspended Liquids	None
Gas Outlets	1
Drain Outlets	1
Pressure Gauges	1

Electrical Requirements

Voltage	110VAC	230VAC
Frequency	50/60 Hz	50/60 Hz
Current	5.30 A	2.45 A
Input Connection Type	C14 Plug	
Power Cord Type	C13 Socket to Local Connection	
Pollution Degree	2	
Insulation Category	II	

General

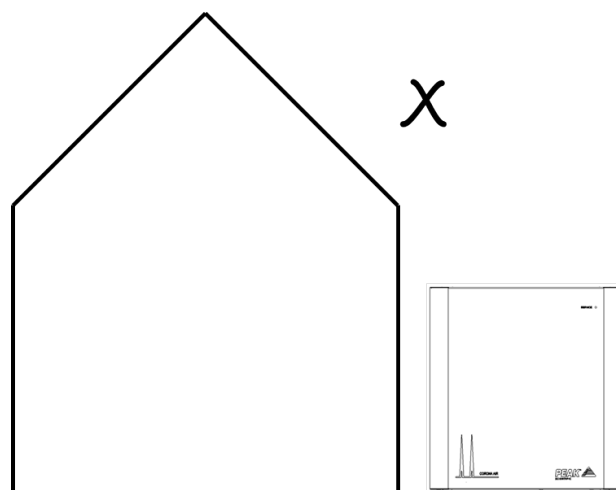
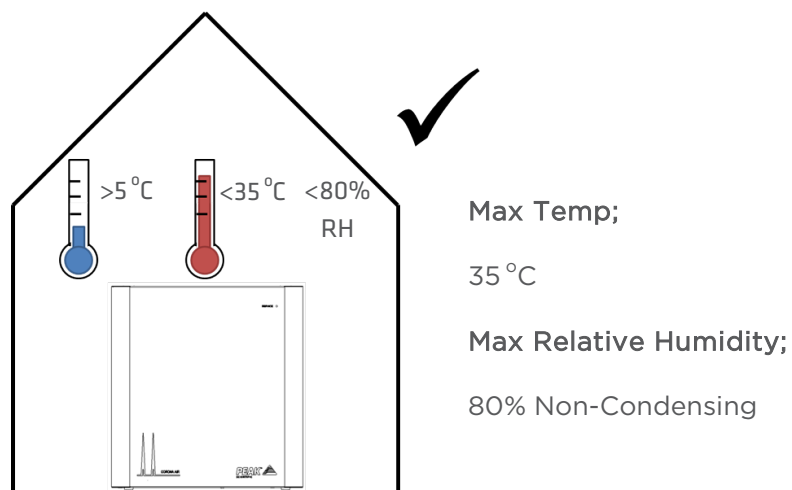
Generator Dimensions cm (inches)	41.6 x 54.2 x 40.6 (16.3 x 21.3 x 15.9)
Generator Weight Kg (lbs)	41.5 (91.5)
Shipping crate dimensions cm(inches)	58.2 x 79.0 x 43.5 (22.9 x 31.1 x 17.1)
Shipping Weight Kg (lbs)	64 (141)
Noise Level	50 dB

Corona CA Site Prep Guide

Site preparation

Environmental control

If the generator is stored in an enclosed space the environment must be controlled via an air conditioner or extraction fan.

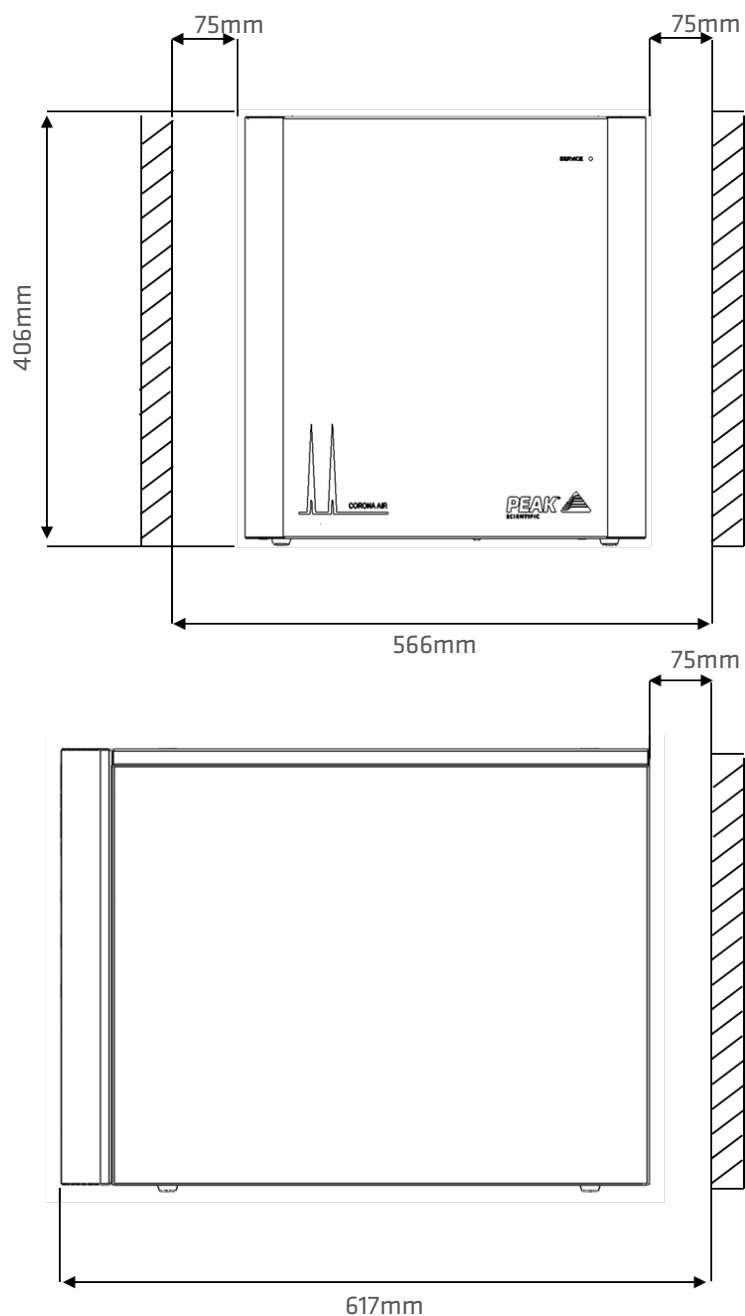


Generator **MUST NOT** be stored or installed outside.

Corona CA Site Prep Guide

Space provision

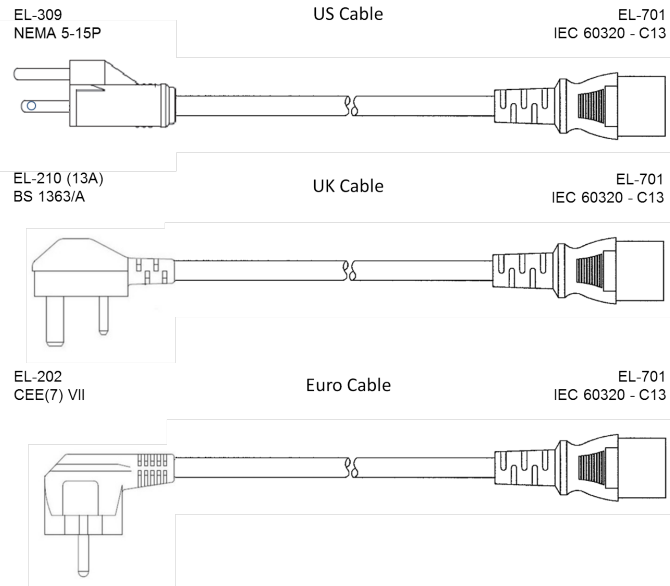
The minimum space should be provided as follows;



Failing to provide adequate cooling space around the generator may cause damage to the Generator. This will reduce service life and invalidate warranty.

Electrical requirements

The below power cables are supplied with the generator.



For cables pertaining to countries not displayed above, it is the responsibility of the end user to provide an appropriate power cable which meets the requirements defined in the Technical Specification section on page 6.



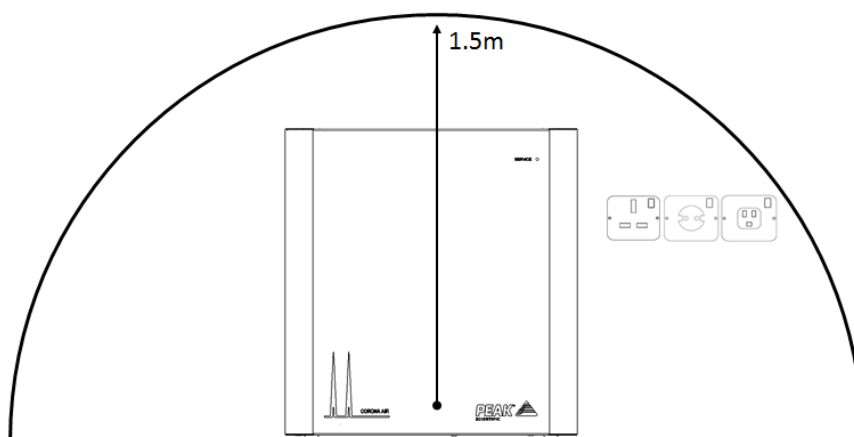
This unit is classified as SAFETY CLASS 1. THIS UNIT MUST BE EARTHED. Before connecting the unit to the mains supply, please check the information on the serial plate. The mains supply must be of the stated AC voltage and frequency.

If the mains power at your location is less than 110V/220V then a suitable transformer should be sourced, to boost the mains power to an acceptable level.

Corona CA Site Prep Guide

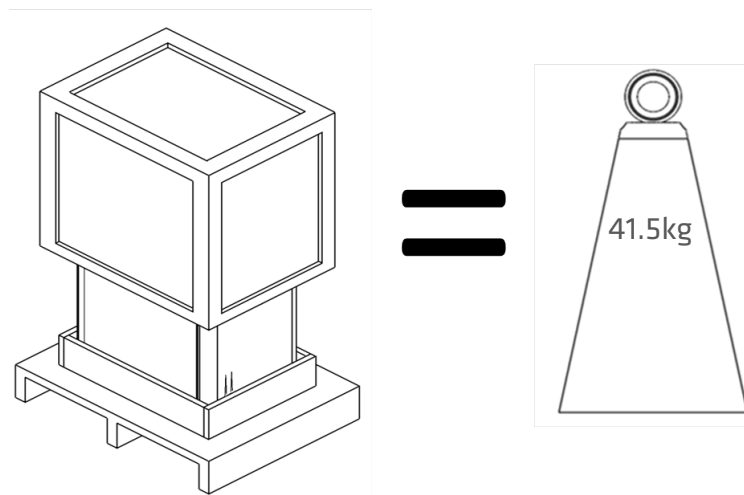
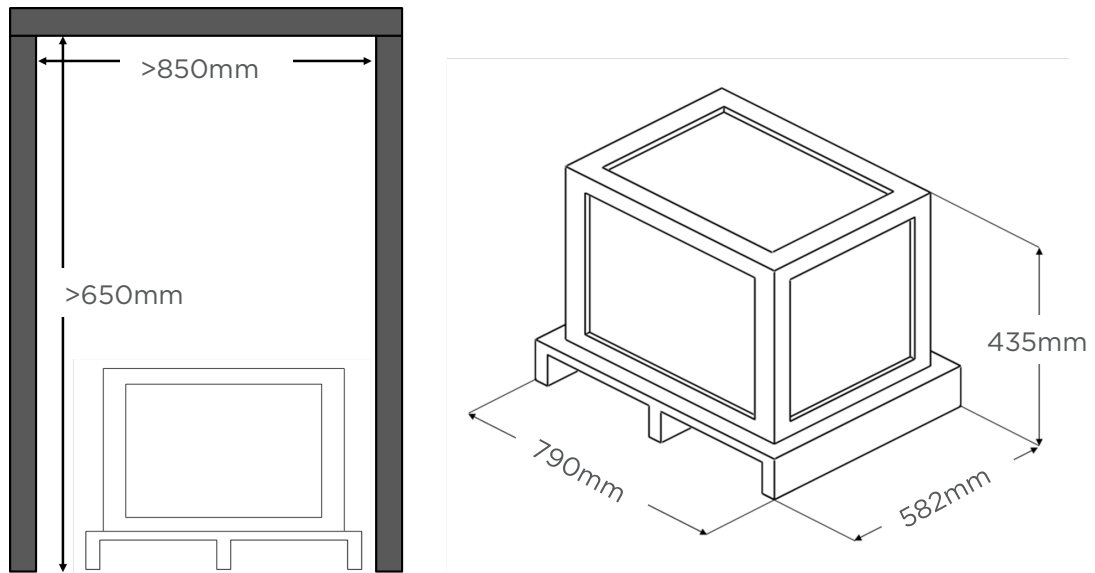
The power cable supplied with the generator is 2m long.

A mains socket providing the power should be located adjacent to the generator and within a 1.5m radius to the generator.



On-Site Transit

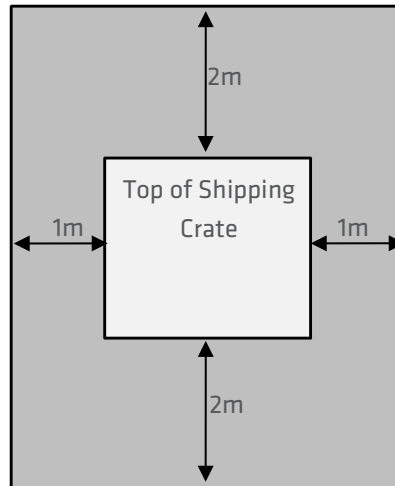
When moving the generator in its shipping crate, doorways and other openings such as elevators must fit with the sizes in the figure below.



Unpacking

Space Required

The image below shows the minimum space required to unpack the generator from its shipping crate.



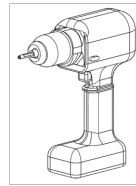
Tools

Required :



Pozidrive #2 Screwdriver

Recommended :



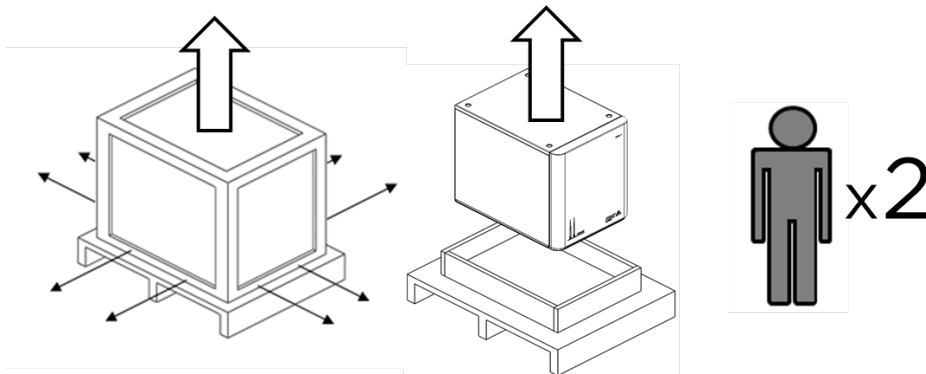
Drill with Pozidrive #2 Bit

Unpacking Instructions

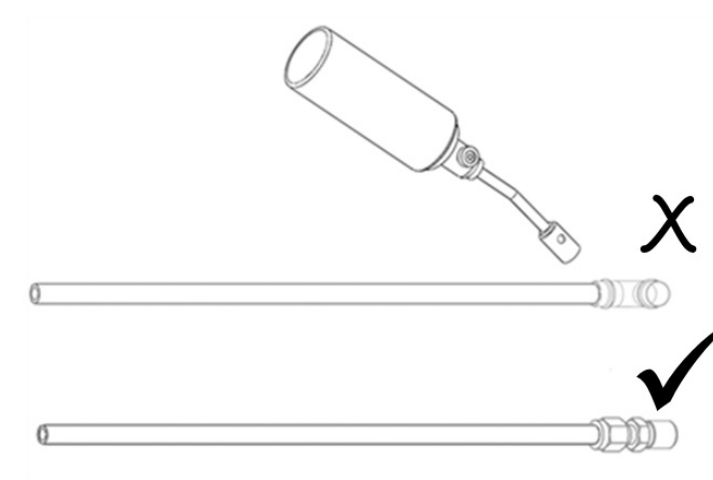
Remove all screws encircled in red, use Drill or Pozidrive #2 screwdriver. Once all 8 screws have been removed, lift lid upwards.

Next with someone on either side of the unit, position your hands underneath the unit ready to lift.

Ensuring your knees are bent and your back is straight, lift the unit to the desired location.



Copper Tubing



Soldering may lead to contamination. Compression fittings recommended.

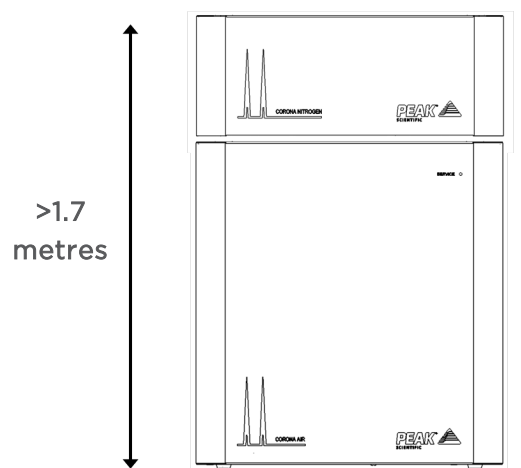
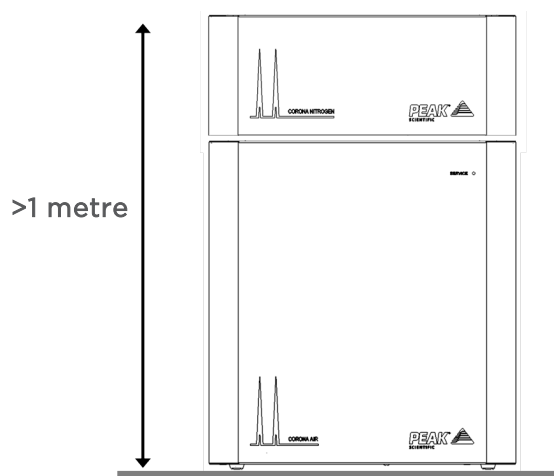
Stacking Units

The units in the Peak GC Range can be stacked on top of one another, allowing for better use of space in laboratories.

When stacked on top of a work bench, the maximum height a combination of generators can reach is **1 metre**.

When stacked from the floor, the maximum height a combination of generators can reach is **1.7 metres**.

Example Combinations have been illustrated in the image below.



Peak Scientific UK

Fountain Crescent
Inchinnan Business Park
Inchinnan
PA4 9RE
Scotland, UK

Tel: +44 (0)141 812 8100

Fax: +44 (0)141 812 8200

Peak Scientific Germany

Herriotstrasse 1
60528 Frankfurt

Germany

Tel: +49 (0)69 677 33 490

Fax: +49 (0)69 677 33 200

Peak Scientific Taiwan

4F.-6, No.736
Zhongzheng Rd.
Zhonghe Dist.
New Taipei City

Tel: +886 2 8226 2383

Fax: +886 2 8226 9499

Peak Scientific North America

19 Sterling Road
Suite #1
Billerica, MA 01862

USA

Tel: +1 866 647 1649

Fax: +1 978 608 9503

Peak Scientific China

Room 606 Building 1
Lane 2277 Zuchongzhi
Road
Pudong New Area
Shanghai
201203, China

Tel: +86 21 5079 1190

Fax: +86 21 5079 1191

Peak Scientific Brazil

Peak Scientific Brasil
Av. Quieroz Filho
1700 - torre Sunny-Conj.
602
São Paulo SP Brasil

Tel: +1 866 647 1649

Peak Scientific India

202, Amsri Shamira
Old Lancer Line
Opp. St. Mary's Degree
College
S.D. Road Secunderabad
500 025, India

Tel: +91 40 2780 0663

Fax: +91 40 2780 0663

Peak Scientific Mexico

Solon 352
Col. Los Morales Polanco
11530 Mexico, D.F.

Mexico

Tel: +1 866 647 1649

Fax: +1 978 608 9503

Peak Scientific Japan K.K.

2-7-56, 2F Fuji Building 28
Kita Aoyama, Minato-Ku
Tokyo, Japan
107-0061

Tel: +81 3-6864-0468

Peak Scientific Africa

PO Box 478
Somerset Mall
7137

South Africa

Tel: +27 (0)2185 16542

Fax: +27 (0)8654 64473

Peak Scientific Australia

PO Box 65
Belmont
Victoria 3216

Australia

Tel: +61 1300 965 352

Peak Scientific Singapore

3 Science Park Drive
#03-14 The Franklin
Science Park Drive 1
Singapore, 118223

Tel: +65-6777 1966

Fax: +65-6777 1978