



SCALA XPRESS

# SCALA



**WALDNER**

# SCALA XPRESS

## Table of contents

<b>1</b>	<b>Fume hoods and exhaust devices</b>		<b>4</b>	<b>Storage cupboards</b>	
	Bench-mounted fume hood.....	5		Underbench unit for sinks.....	50
	Low ceiling bench-mounted fume hood.....	6		Overbench cabinet.....	53
	Fume hood with side installation made of steel, SI 3 steel.....	7		Laboratory cabinet.....	55
	Walk-in fume hood with side installation.....	8		Emergency cabinet.....	59
	AKKURAT.....	9		Top-mounted cabinet.....	60
	Secuflow EN7 fume hood for high thermal loads.....	10		Pull-out cabinet.....	61
	MobilAir.....	12		Laboratory cabinet for storing acids and alkalis.....	63
	Underbench unit extraction system.....	15		Underbench safety unit for fume hoods for storing acids and alkalis.....	65
	Extraction arm.....	16		FWF 90 underbench safety unit for fume hoods for storing flammable liquids.....	67
	Extractor hood.....	17		Waste disposal system for solid matter and domestic waste.....	69
				FWF 90 safety cabinet for storing flammable liquids.....	71
				G 90 gas cylinder cabinet.....	73
<b>2</b>	<b>Service modules</b>		<b>5</b>	<b>Services</b>	
	Service duct element.....	18		Mechanical Services.....	78
	Service spine for wall bench / double bench.....	19		Electrical services.....	79
	Suspended service boom.....	21			
	Service distribution terminal.....	23	<b>6</b>	<b>Accessories</b>	
	Service wall duct.....	24		Pegboard.....	80
	Bench-mounted service duct.....	25		Pegboard for service duct.....	80
<b>3</b>	<b>Laboratory benches and sinks</b>			System step ladder.....	81
	Bench with H-frame.....	28		Step ladder.....	81
	Bench with C-frame.....	29		Towel dispenser, plastic.....	82
	Bench with cantilever frame.....	30		Towel dispenser, aluminium.....	82
	Mobile table.....	31		Soap dispenser.....	82
	Height-adjustable table.....	32		Boxes for small parts.....	83
	Worktop material.....	33		Paper towel dispenser.....	83
	Laboratory sink.....	38		Monitor arm.....	84
	Drip cup on service spine.....	39		Name tag.....	84
	Balance table.....	40		Pipette holder with insertion holes.....	85
<b>4</b>	<b>Storage cupboards</b>			Pipette holders with mounting rail.....	85
	Underbench unit on plinth.....	42		Scaffold points for fume hoods.....	86
	Underbench unit on castors.....	44		Scaffold rod.....	86
	Suspended underbench unit.....	46		Emergency cabinet.....	87
	Push-in underbench unit for fume hoods.....	48		Lateral pillars.....	88
				Rack.....	89
				Drawer insert type B tray set.....	90
				Drawer insert type A.....	92
				Bimos chair.....	97
				Rinsing units.....	97

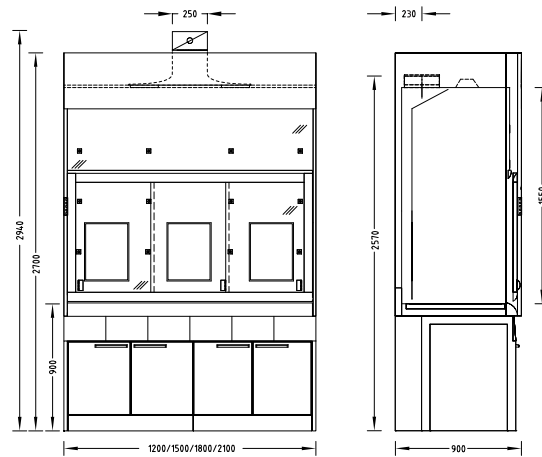
# SCALA XPRESS

## Bench-mounted fume hood

### Intended use

- Protective device for the user, tested in acc. with EN 14175
- Extraction of fumes, aerosols and dust from the internal workspace to prevent dangerous amounts of pollutants from escaping into the laboratory
- Reduced risk of the formation of a high concentration of hazardous substances / hazardous explosive atmosphere in the internal workspace
- Protection from splashes of hazardous substances
- Protection from flying particles, bodies or parts escaping from the internal workspace
- General fume hoods constructed in acc. with EN 14175 are normally not suited for use with radioactive substances or microorganisms
- Not suitable for openly breaking down chemicals
- Service outlets in the rear panel of the internal workspace
- Control units located horizontally on the service rail of the support unit

### Dimensional drawing



### Technical data

Dimensions	1200	1500	1800	2100
Width [mm]	1200	1500	1800	2100
Depth [mm]	900			
Height [mm]	2700			
Clear width, internal workspace [mm]	1150	1450	1750	2050
Clear height, internal workspace [mm]	1550			
Working height [mm]	900			
Weight	1200	1500	1800	2100
Without installation [kg]	Approx. 250	Approx. 300	Approx. 350	Approx. 400
Options				
Secuflow	Optional			
Extraction hood diameter	250 mm and 315 mm			
Sash controller	Optional			
Inner lining	Melamine or Solid Grade Laminate Stoneware (10 weeks)			
Side execution	Glass panel and / or cable through-put			
Worktop	Stoneware; Drip cup in rear wall only			
Service supply	<u>Electrical services:</u> Please refer to <b>section 5 (Services)</b> Electrical supply for country specification <u>Mechanical services:</u> Up to 3 different gases / water. Multiple connections are also possible, depending on the existing equipment. Please refer to <b>section 5 (Services)</b> Service supply from above by default, if no other indication. Please do always indicate the connection point on technical drawings.			
Illuminighting	Downlight			
Safety glass	ESG and VSG			
Airflow monitoring	FAZ / AC4 without BUS connection			
Material	B2 Standard			

**!** No sinks can be incorporated in the worktop!

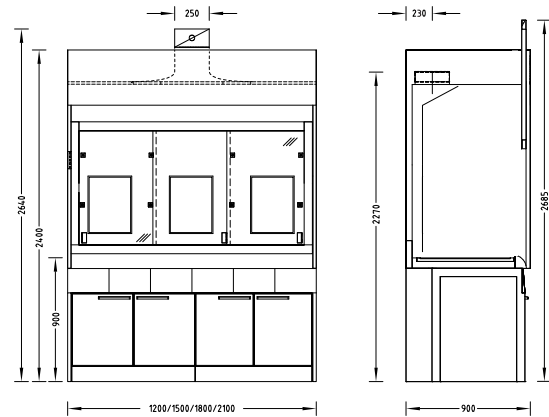
## SCALA XPRESS

## Low ceiling bench-mounted fume hood

## Intended use

- Protective device for the user, tested in acc. with EN 14175
- Extraction of fumes, aerosols and dust from the internal workspace to prevent dangerous amounts of pollutants from escaping into the laboratory
- Reduced risk of the formation of a high concentration of hazardous substances / hazardous explosive atmosphere in the internal workspace
- Protection from splashes of hazardous substances
- Protection from flying particles, bodies or parts escaping from the internal workspace
- General fume hoods constructed in acc. with EN 14175 are normally not suited for use with radioactive substances or microorganisms
- Not suitable for openly breaking down chemicals
- Service outlets in the rear panel of the internal workspace
- Control units located horizontally on the service rail of the support unit
- Suitable for rooms with low ceiling height

## Dimensional drawing



## Technical data

Dimensions	1200	1500	1800	2100
Width [mm]	1200	1500	1800	2100
Depth [mm]	900			
Height [mm]	2400 + 285 mm with 900 mm sash opening			
Clear width, internal workspace [mm]	1150	1450	1750	2050
Clear height, internal workspace [mm]	1250			
Working height [mm]	900			

Weight	1200	1500	1800	2100
Without installation [kg]	Approx. 220	Approx. 260	Approx. 300	Approx. 350

Options	
Secuflow	Optional
Extraction hood diameter	250 mm and 315 mm
Sash controller	Optional
Inner lining	Melamine or Solid Grade Laminate Stoneware (10 weeks)
Side execution	Glass panel and / or cable through-put
Worktop	Stoneware; Drip cup in rear wall only
Service supply	<u>Electrical services:</u> Please refer to <b>section 5 (Services)</b> Electrical supply for country specification <u>Mechanical services:</u> Up to 3 different gases / water. Multiple connections are also possible, depending on the existing equipment. Please refer to <b>section 5 (Services)</b> Service supply from above by default, if no other indication. Please do always indicate the connection point on technical drawings.
Illuminighting	Downlight
Safety glass	ESG and VSG
Airflow monitoring	FAZ / AC4 without BUS connection
Material	B2 Standard

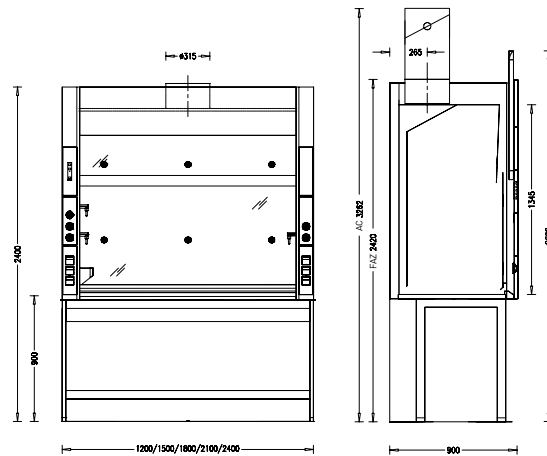
**!** No sinks can be incorporated in the worktop!

# Fume hood with side installation, made of steel SI 3 steel

## Intended use

- Protective equipment for users, tested in accordance with EN 14175 and ASHRAE 110-2005.
- Extraction of fumes, aerosols and dust from the internal workspace to prevent dangerous concentrations of pollutants from escaping into the laboratory
- To prevent the formation of dangerous potentially explosive atmospheres in the internal workspace
- Protection from splashes of hazardous substances
- Protection from flying particles, bodies or parts from the internal workspace
- General purpose fume hoods constructed in compliance with with EN 14175 and ASHRAE 110-1005 are normally not suited for use with radioactive substances or micro-organisms
- Not suitable for openly breaking down chemicals
- Service outlets in the side panel of the internal workspace
- Control units located externally on the service panels

## Dimensional drawing



## Technical data

Dimensions	1200	1500	1800	2100	2400
Width [mm]	1200	1500	1800	2100	2400
Depth [mm]	900				
Height [mm]	2400				
Clear internal width of internal space [mm]	940	1240	1540	1840	2140
Clear internal height of internal space [mm]	1345				
Working height [mm]	900				

Weight	1200	1500	1800	2100	2400
Without installation [kg]	Approx. 220	Approx. 290	Approx. 350	Approx. 410	Approx. 470

Options	
Inner lining	Solid grade laminate, Polypropylene
Worktop	Epoxy; Drip cup in side wall only
Service supply	<u>Electrical services:</u> Please refer to <b>section 5 (Services)</b> Electrical supply for country specification <u>Mechanical services:</u> Up to 3 different gases / water. Multiple connections are also possible, depending on the existing equipment. Please refer to <b>section 5 (Services)</b> Service supply from above by default, if no other indication. Please do always indicate the connection point on technical drawings.
Illuminighting	Downlight
Safety glass	ESG and VSG
Airflow monitoring	FAZ / AC4 without BUS connection

**!** No sinks can be incorporated in the worktop!

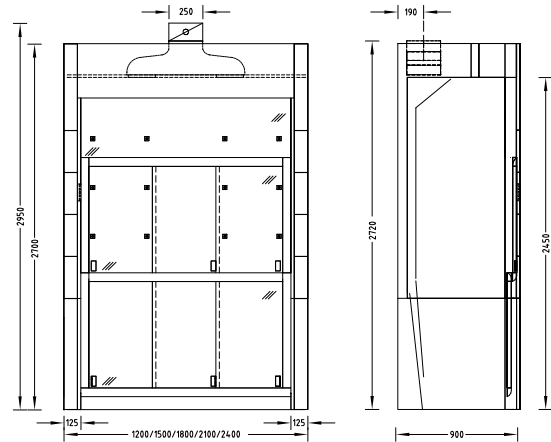
## SCALA XPRESS

## Walk-in fume hood with side installation

## Intended use

- Protective device for the user, tested in acc. with EN 14175
- Extraction of fumes, aerosols and dust from the internal workspace to prevent dangerous amounts of pollutants from escaping into the laboratory
- To prevent the formation of dangerous potentially explosive atmospheres in the internal workspace
- Protection from splashes of hazardous substances
- Protection from flying particles, bodies or parts escaping from the internal workspace
- General fume hoods constructed in acc. with EN 14175 are normally not suited for use with radioactive substances or microorganisms
- Not suitable for openly breaking down chemicals
- Suitable for barrier-free entering of the internal workspace
- Service outlets in the service modules of the side panels of the internal workspace
- Control units located vertically on the side service panels
- Suitable for high experimental set-ups

## Dimensional drawing



## Technical data

Dimensions	1200	1500	1800	2100	2400
Width [mm]	1200	1500	1800	2100	2400
Depth [mm]	900				
Height [mm]	2700				
Clear width, internal workspace [mm]	950	1250	1550	1850	2150
Clear height, internal workspace [mm]	2450				

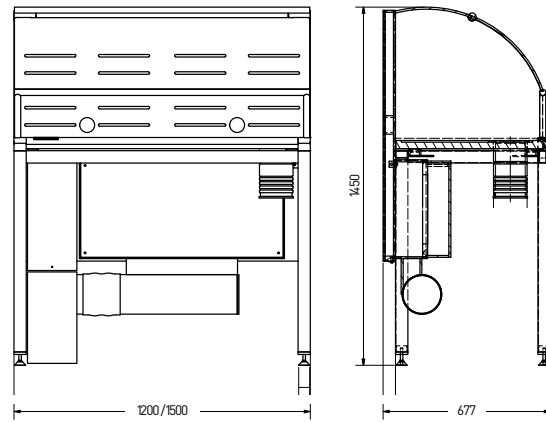
Weight	1200	1500	1800	2100	2400
Without installation [kg]	Approx. 320	Approx. 390	Approx. 450	Approx. 510	Approx. 570

Options	
Extraction hood diameter	250mm and 315mm
Sash controller	Optional
Inner lining	Melamine or Solid Grade Laminate Stoneware (10 weeks)
Side execution	Glass panel and /or cable through-put
Worktop	None; Drip cup in side wall only
Service supply	<u>Electrical services:</u> Please refer to <b>section 5 (Services)</b> Electrical supply for country specification <u>Mechanical services:</u> Up to 3 different gases / water. Multiple connections are also possible, depending on the existing equipment. Please refer to <b>section 5 (Services)</b> Service supply from above by default, if no other indication. Please do always indicate the connection point on technical drawings.
Illuminighting	Downlight
Safety glass	ESG and VSG
Airflow monitoring	FAZ / AC4 without BUS connection
Material	B2 Standard

### Intended use

- Protects the chemist from any kind of air borne particles or aerosols
- Allows quick and precise calibration whilst the usage of highly sensitive microbalances
- Fullfills the highest quality and safety standards

### Dimensional drawing



### Technical data

Dimensions		1200
Width [mm]		1200
Depth [mm]		650
Height [mm]		1450
Clear width of internal space [mm]		1155
Effective depth of internal space [mm]		575
Clear internal height of internal space [mm]		530
Working Height [mm]		900
Weight		1200
Without installation [kg]		120
Ventilation technology		
Filtration	HEPA Filter H14 acc. DIN EN 1822	
Connecting diameter Ø [mm]	160	
Air exchange rate [m³/h]	140	
Pressure drop [PA]	80	
Connection voltage [V]	230	
Power consumption [W]	250	

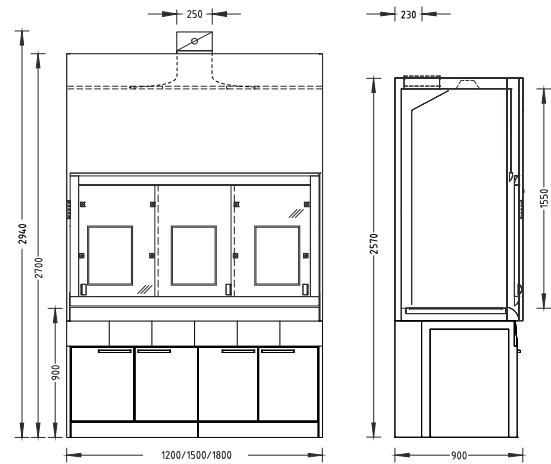
## SCALA XPRESS

## Secuflow EN7 fume hood for high thermal loads

## Intended use

- For working with high thermal loads in the internal workspace (heat sources of 4 KW per metre of clear width in the fume hood)
- Protective device for the user, tested in acc. with DIN EN 14175-7:2012
- Extraction of fumes, aerosols and dust from the internal workspace to prevent dangerous amounts of pollutants from escaping into the laboratory
- Reduced risk of the formation of a high concentration of hazardous substances / hazardous explosive atmosphere in the internal workspace
- Protection from splashes of hazardous substances
- Protection from flying particles and compounds from the internal workspace
- Fume hoods which are built in accordance with EN 14175 are not permitted for working with radioactive substances and microorganisms
- Not suitable for openly breaking down chemicals
- Active supportive flow technology (Secuflow technology) reduces the energy consumption while regulations and standards are observed
- Service outlets for sanitary supply in the rear panel of the internal workspace
- Control units located on the exterior of the support

## Dimensional drawing



## Technical data

Dimensions	1200	1500	1800
Width [mm]	1200	1500	1800
Depth [mm]	900		
Height [mm]	2700		
Clear internal width of internal space [mm]	1150	1450	1750
Clear internal height of internal space [mm]	1550		
Working height [mm]	900		

Weight	1200	1500	1800
Without installation [kg]	Approx. 250	Approx. 300	Approx. 350

Design characteristics	1200	1500	1800
Supporting construction	Self-supporting underbench units or H-frame with push-in underbench units		
Sash	2 horizontal sashes		3 horizontal sashes
Side panel of the fume hood	full		
Max. number of devices for scaffold points, dia. 12 mm up to 13 mm	9		12
Max. load per scaffold point with scaffold rod length 300 mm [kg]	5		
Service modules	2		3



# SCALA XPRESS

## Secuflow EN7 fume hood for high thermal loads

Electrics	
Electrical supply	External sockets in service panels
Fuse box	Optional
Sash controller SC	Optional

Sanitary technology	
Sanitary supply	Service modules with take-off valves for vacuum, gases and/or waters and integrated sink (PP) as an option

Ventilation technology	1200	1500	1800
Air flow range without/with thermal load [m³/h] <sup>1)</sup>	450/700	450/750	540/900
Function display with temperature monitoring	FAZ		
Airflow damper, constant with temperature monitoring	Airflow-Controller AC		
Airflow damper, variable with temperature control	Airflow-Controller AC		
Detector of sash position	Only variable with Airflow-Controller AC		
Connection height [mm] for FAZ with extraction hood dia. 250 mm	2570		
Connection height [mm] for FAZ with extraction hood dia. 315 mm <sup>2)</sup>	2570		
Connection height [mm] for AC with extraction hood dia. 250 mm	2950		
Connection height [mm] for AC with extraction hood dia. 315 mm <sup>2)</sup>	2790		
Underbench unit extraction system	As an option, depending on requirements and regulations		

<sup>1)</sup> All air volume specifications refer to an opening height of the sash window of 500 mm (Test opening in accordance with EN14175) and the recommended maximum trace gas values of BG Chemie.

<sup>2)</sup> In order to minimise noise and pressure losses, for air volumes >1000 m³/h Waldner recommends the extract manifold with a connection diameter of 315 mm.

A maximum admission pressure of 600 Pa should not be exceeded with fume hoods with airflow dampers.

The indicated minimum air exchange rates were determined under specified test conditions in acc. with EN 14175-3. These minimum air exchange rates must be adapted when dimensioning the ventilation system.

If on-site extract air monitoring systems or airflow dampers are used, the required air volumes may be different. The operating limitations must be agreed upon with Waldner.

Material/surface	
Worktop	Stoneware
Internal lining	Melamine resin facing Solid (grade) laminate Stoneware

**!** No sinks can be incorporated in the worktop!

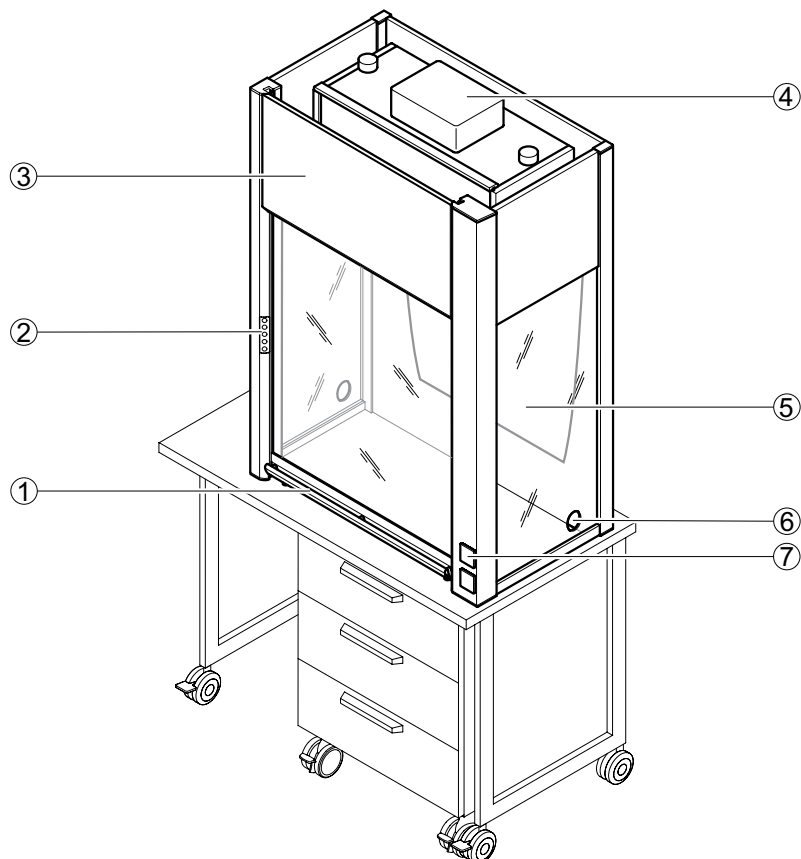
**!** Secuflow EN7 is only available with the 10-week programme!

## SCALA XPRESS

## MobilAir

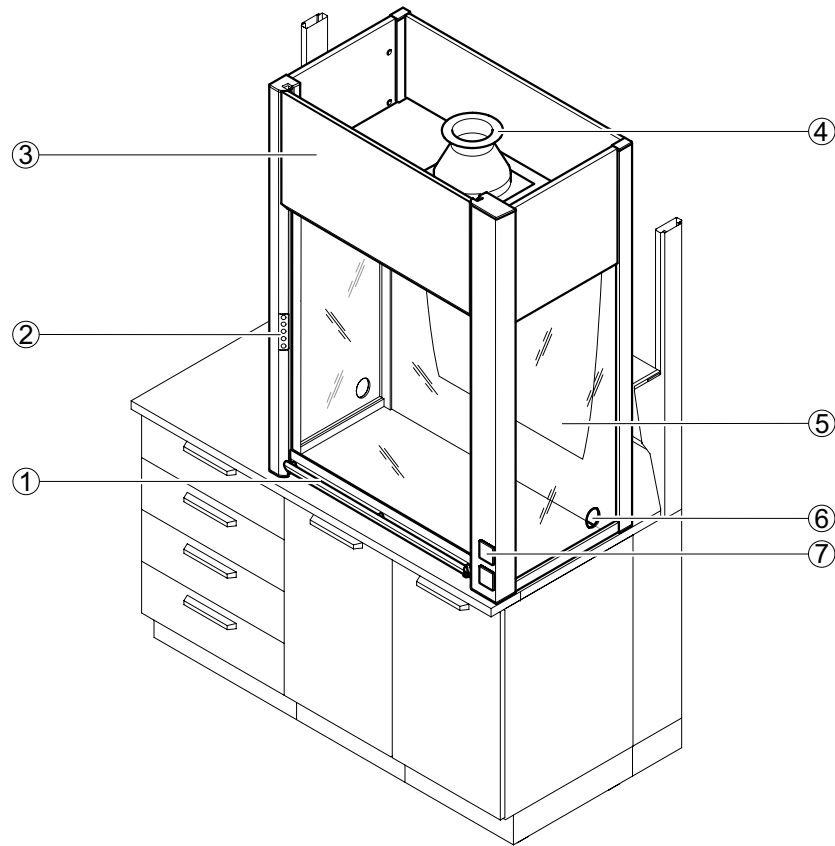
**Intended use**

- Can be used where required (only in air-circulating mode)
- Control units located externally
- Not suitable for openly breaking down chemicals
- Not suitable as a replacement for bench-mounted fume hoods in acc. with EN 14175

**Design****Air-circulating mode**

- 1 Sash with handle
- 2 FAZ control panel
- 3 Removable fascia panel
- 4 Filter housing with ventilator in air-circulating mode
- 5 Rear panel with air guiding profile
- 6 Material lock
- 7 Sockets

**Extract air operation**



- 1 Sash with handle
- 2 FAZ control panel
- 3 Removable fascia panel
- 4 Extract air spigot
- 5 Rear panel with air guiding profile
- 6 Material lock
- 7 Sockets

**Technical data**

Dimensions	
Width [mm]	900
Depth [mm]	600
Height with sash closed/open [mm]	1215/1620
Access width [mm]	730
Clear width, internal workspace [mm]	850
Effective depth [mm]	503
Clear internal height up to lamp [mm]	846
Clear internal height up to ceiling [mm]	935
Weight	
MobilAir for extract air operation [kg]	Approx. 70
MobilAir for air-circulating mode incl. filter [kg]	Approx. 82

# SCALA XPRESS

## MobilAir

Design characteristics	
Air-circulating mode	With ventilator and filter
Extract air operation	Extract air spigot connected to on-site extract air system
Lighting	Dazzle-free, can be switched from the outside
Sash	Moves vertically
Material lock	Possible on the left and/or right side of the fume hood

Electrics	
Electrical supply	2 external sockets
Total power of sockets [W]	1000
Connection voltage [V AC]	230
Lighting [W]	13
Ventilator power [W]	115

Ventilation technology	
Minimum air exchange rate [m <sup>3</sup> /h]	300
Function display	FAZ as an option
Connection height [mm] Extract air spigot Ø 125 mm	1137

Material	
Side panel design, sash	Plexiglas

Filter type „A“ no.5, gas filter	
Dimensions [mm]	610 x 305 x 150 (+ 8 mm seal)
Pressure loss [Pa] at 300 m <sup>3</sup> /h	130
Design characteristics	Gas filter cell with 5 layers of activated carbon mat, type „A“; MDF frame; with white-painted grid on both sides, with grip and type label on the 610-mm-side, PU seal on the dust-laden air side
Use	Separable substances: organic gases and vapours (e.g. solvents, petrol fumes, toluol, benzol, kerosine, odours, hydrocarbons with mass weights 30 and higher), cold, non-boiling (VOC, high-boiling substances)

Filter type „BEP“, gas and particle filter	
Dimensions [mm]	610 x 305 x 150 (+ 8 mm seal)
Pressure loss [Pa] at 300 m <sup>3</sup> /h	240
Design characteristics	Combination filter Hepa H13 with activated carbon mat and particle filter, type „BEP“; MDF frame, with white-painted grid on both sides, with grip and type label on the 610-mm-side, PU seal on the dust-laden air side
Use	Separable substances: inorganic gases and vapours (e.g. chlorine, hydrosulphides, sulphur dioxide, hydrogen chlorides, cold and heated). Molecules and particle separation 99.95 % MPPS

Filter type „P“, particle filter cell	
Dimensions [mm]	610 x 305 x 150 (+ 8 mm seal)
Pressure loss [Pa] at 300 m <sup>3</sup> /h	150
Design characteristics	Particle filter, type „P“, Hepa H13, Midilar MDSA; MDF frame, with white-painted grid on both sides, with grip and type label on the 610-mm-side, fold height 45 mm, PU seal on the dust-laden air side, filter medium flush on the dust-laden air side
Use	Separable substances: Particle separation 99.95 % MPPS, Hepa H13

**!** MobilAir is only available with the 10-week programme!

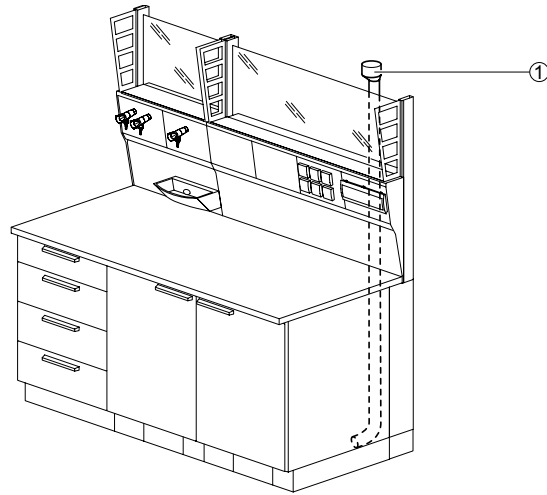
# SCALA XPRESS

## Underbench unit extraction system

### Intended use

- For the extraction of safety cabinets (underbench units) used for the storage of hazardous materials
- For the extraction of underbench units in service spines and fume hoods

### Design



1 Extract air spigot

### Technical data

Ventilation technology	
Air exchange rate [m <sup>3</sup> /h]	40
Ventilation connection (ascending duct) Ø [mm]	90
Material	
Ventilating pipe	PPS

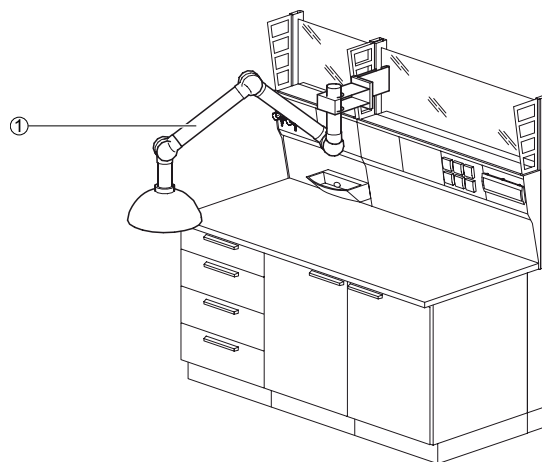
## SCALA XPRESS

### Extraction arm

#### Intended use

- For the extraction of a specific area
- For fixing to service spines or the wall

#### Design



1 Extraction arm

#### Technical data

Dimension	50	75
Pipe system Ø [mm] <sup>1)</sup>	50	75
Coupling hood Ø [mm]	350	
Extraction maximum [mm]	50	75

<sup>1)</sup> Pipe system Ø 50 mm only for fastening to the service wing

Ventilation technology	50	75
Minimum air exchange rate [m <sup>3</sup> /h]	50	100
Admission pressure [Pa]	150	
Admission pressure [Pa] with Waldner airflow damper	200	

Material	
Pipe	Anodised aluminium
Hinged bracket	Polypropylene
Coupling hood	Polycarbonate
Suction tip	Anodised aluminium

# SCALA XPRESS Extractor hood

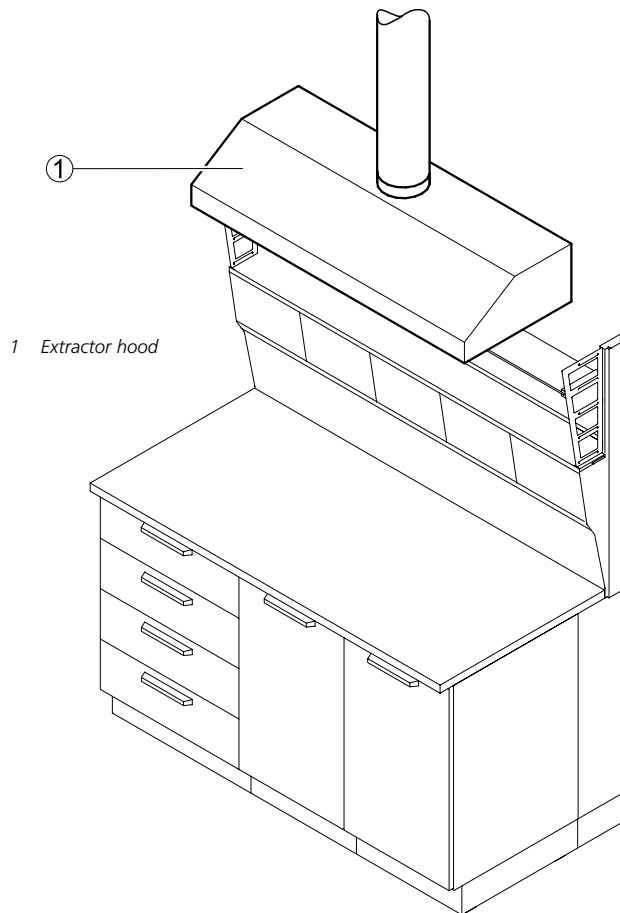
1

Fume hoods and exhaust devices

## Intended use

- For the extraction of a specific area
- For fixing to service spines and to the wall

## Design



## Technical data

Dimensions	1200	1500
Width [mm]	1200	1500
Height x depth [mm]	300 x 600	
Extract air spigot Ø [mm]	200	

Ventilation technology	1200	1500
Minimum air exchange rate [m³/h]	480	600
Admission pressure [Pa]	25	30
Admission pressure [Pa] with Waldner airflow damper	150	

Material	
Extractor hood	Polypropylene

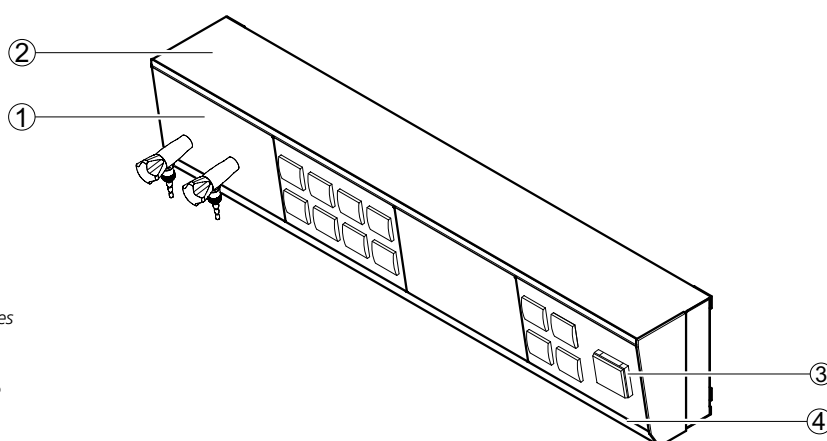
## SCALA XPRESS

### Service duct element

#### Intended use

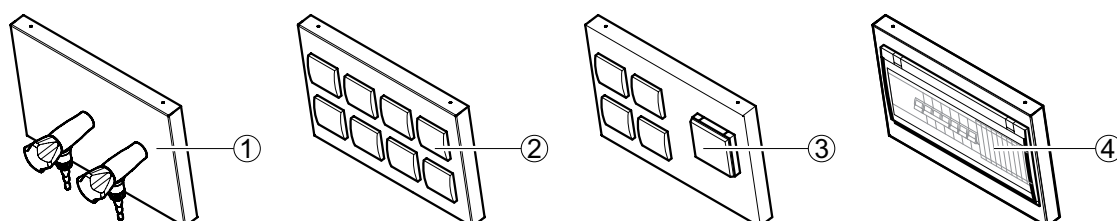
- Services supply at laboratory workstations
- Integration of all service outlets including sockets and multiple connectors for information technology
- Expansion and modification of the services supply through clip-in service panels
- Use in service spines, service wall ducts, suspended service booms and bench-mounted service ducts
- Tool-free installation of supplementary service duct add-on parts such as pegboard, monitor arm, pipette holder, paper towel dispenser, universal storage area, etc.

#### Design



- 1 Service panel with corner valves
- 2 Storage area
- 3 Service panel with sockets
- 4 Accessory rail for the tool-free installation of add-on parts

#### Service panel variants



- 1 Service panel with corner valves
- 2 Service panel with 8 sockets of the same type
- 3 Service panel with different types of sockets
- 4 Service panel with automatic circuit breakers

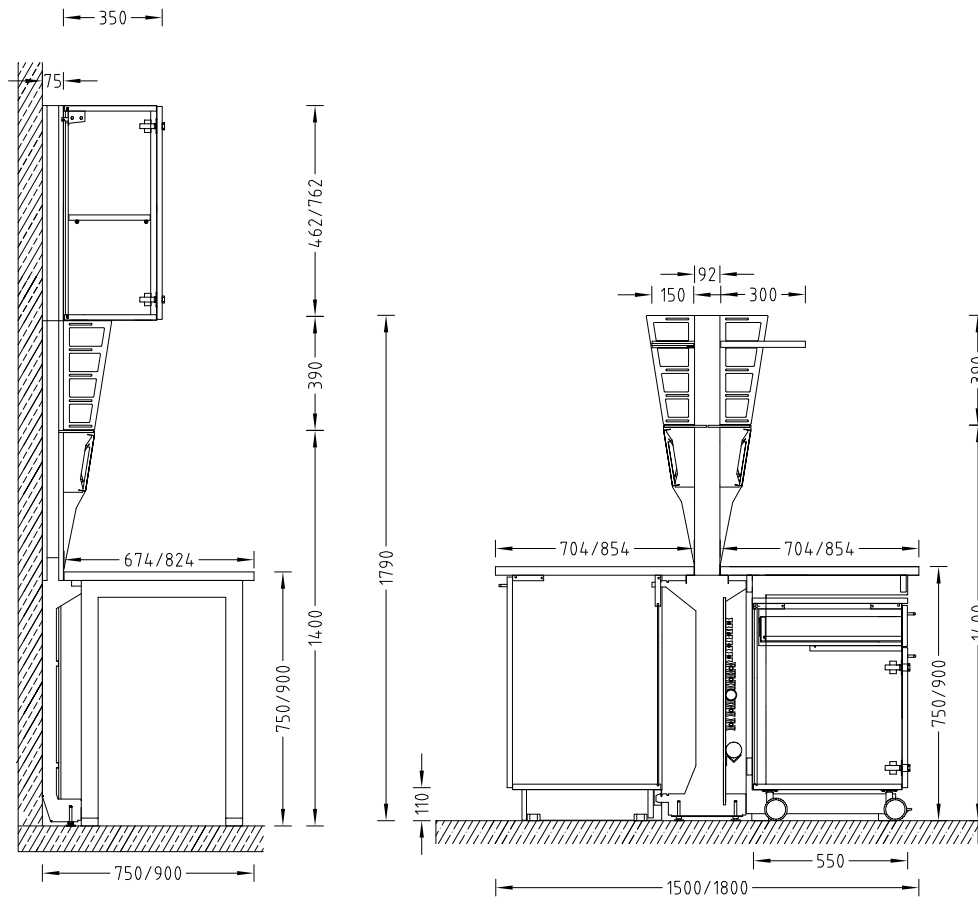
#### Technical data

Material	
Electrical services	Please refer to <b>section 5 (Services)</b> for your country specific services
Mechanical services	Service panel with take-off valves for vacuum, gases and/or waters Services supply depending on the combination with other service modules Placement on panel max. 5 technical gases /water or max. 2 pure gases. For further specification refer to <b>section 5 (Services)</b>
Service supply	From above by default, if no other indication on technical drawings



Service spine for wall bench / double bench

Dimensional drawing



Technical data

Dimensions					
Width [mm]	600	900	1200	1500	1800
Depth, service spine for wall bench [mm] (incl. wall bench)			75 (750/900)		
Depth, service spine for double bench [mm] (incl. double bench)			92 (1500/1800)		
Height [mm]			1790		
Working height [mm]			750 900		
Height, pillar extension [mm] for overbench cabinet, height 460 mm			462		
Height, pillar extension [mm] for overbench cabinet, height 760 mm			762		
Height, pillar extension [mm] up to ceiling height 3500 mm			Depending on ceiling height		
Service panel, width x height [mm]			300 x 200		
Glass shelf, width x depth [mm]			Width, service spine x 150		
Shelf of OSB board, width x depth [mm]			Width, service spine x 300		

# SCALA XPRESS

## Service spine for wall bench / double bench

### Technical data

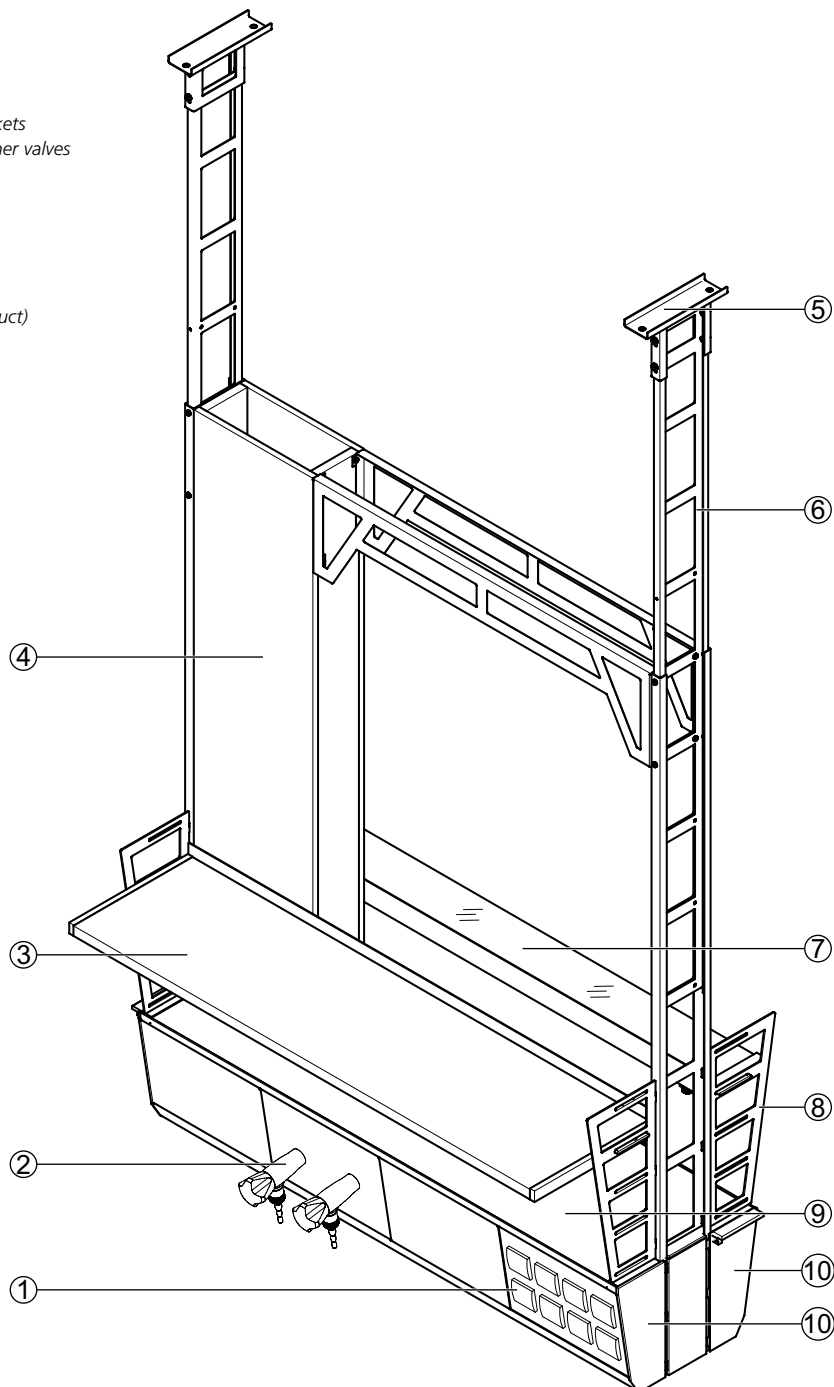
Load bearing capacity	
Glass shelf [kg]	20
Shelf of OSB board [kg]	30
Max. load per scaffold point with scaffold rod length 300 mm [kg]	5
Design characteristics	
Modular design	Wall bench can be equipped on one side, double bench can be equipped on two sides Multipurpose uprights can be extended with service duct, e.g. for overbench cabinets Worktop, cantilever and underbench unit can be replaced without dismounting the installations Grid-independent mounting of accessories
Scaffold points ø [mm]	12 to 13
Number of service panels	Depending on the width of the service duct
Electrics	
Electrical supply	Sockets in the service panel
Fuse box	Optional
Sanitary technology	
Sanitary supply	Service panel with take-off valves for vacuum, gases and/or waters The supply pipes and cables are routed underneath the worktop or cantilever
Options	
Options	Wall bench or free standing

### Intended use

- Services supply from the ceiling for:
  - ▶ Laboratory benches below the suspended service boom
  - ▶ Laboratory equipment on mobile tables or underbench constructions
  - ▶ Floor-mounted laboratory equipment
- Design versions for genetical engineering areas
- Modular fastening of boom add-on parts to the supporting construction, e.g. glass shelves and OSB board, scaffold points, etc.
- Tool-free installation of supplementary service duct add-on parts such as monitor arm, pipette holder, paper towel dispenser, universal storage area, etc.

### Design

- 1 Service panel with sockets
- 2 Service panel with corner valves
- 3 Shelf of OSB board
- 4 Media supply duct
- 5 Ceiling stator
- 6 Functional element
- 7 Glass shelf
- 8 Pillar
- 9 Storage area (service duct)
- 10 Service duct element



# SCALA XPRESS

## Suspended service boom

### Technical data

Dimensions					
Width [mm]	600	900	1200	1500	1800
Depth [mm] without pillars	350				
Depth [mm] with pillars	471				
Recommended min. height [mm] bottom edge of suspended service boom to upper edge of finished floor	1750				
Height, supporting construction (max. up to ceiling height 4000 mm)	Depending on ceiling height				
Service panel, width x height [mm]	300 x 200				
Glass shelf, width x depth [mm]	Width, suspended service boom x 150				
Shelf of OSB board, width x depth [mm]	Width, suspended service boom x 300				
Load bearing capacity					
Maximum permissible load [kg]	120				
Additional max. load bearing capacity, suspended service boom [kg] per grid	30				
Glass shelf [kg]	20				
Shelf of OSB board [kg]	30				
Max. load per scaffold point with scaffold rod length 300 mm [kg]	5				
Design characteristics					
Construction	Functional elements to take up service ducts fastened to the ceiling and connected				
Number of service panels (per side)	Depending on the width of the service duct				
Scaffold points $\varnothing$ [mm]	12 to 13				
Material					
Storage area (service duct)	Solid grade laminate 5 mm				
Electrics					
Electrical supply	Sockets in the service panel				
Fuse box	Optional				
Sanitary technology					
Sanitary supply	Service panel with take-off valves for vacuum, gases and/or waters Supply pipes and cables in supply duct from above				

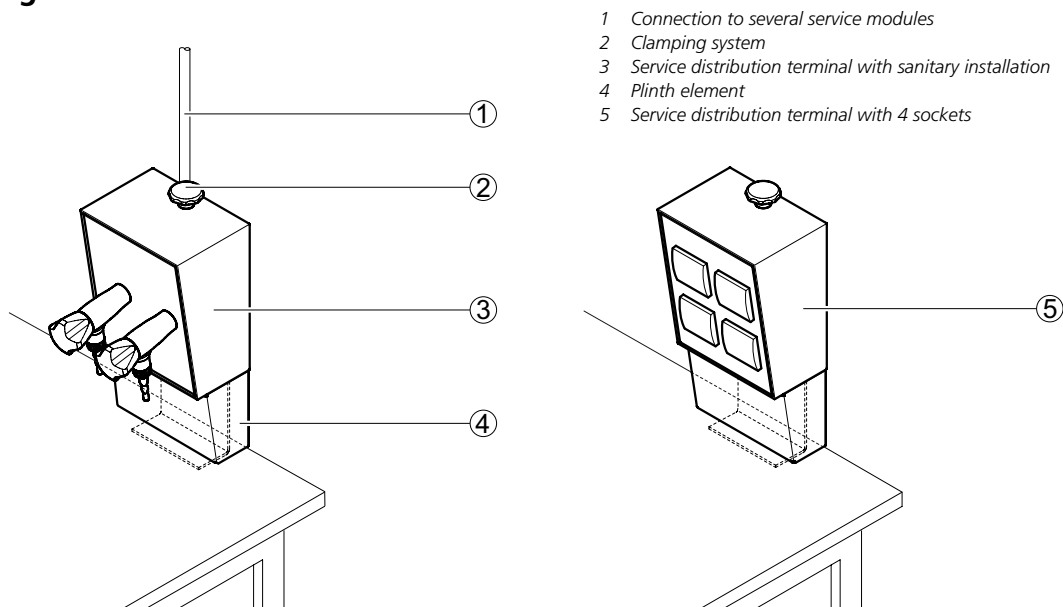
# SCALA XPRESS

## Service distribution terminal

### Intended use

- Services supply for clamping to a laboratory workstation
- The station is supplied through a service module which is fastened to the ceiling, such as suspended service boom, service column, service wing, service ceiling or a floor-mounted service spine

### Design



### Technical data

Dimensions	
Width [mm]	158
Depth [mm]	118
Height [mm]	205
Height incl. plinth element [mm]	310
Service panel, width x height [mm]	150 x 200
Clamping area [mm]	10 – 100

Design characteristics	
Construction	Clamping system for worktop or other frames Services supply via service modules or service spines mounted to the ceiling Tension relief for pipes and cables between the service distribution terminal and service module unit through service beam and straps Cables and hoses are connected to the service module by means of plug-in couplings

Electrics	
Electrical supply	Max. of 4 sockets 230 V per service panel

Sanitary technology	
Sanitary supply	Various take-off valves for vacuum, gases or compressed air
Max. number of corner valves per service panel	2
Max. number of high purity gas valves per service panel	1 or 2 (depending on the type and function)

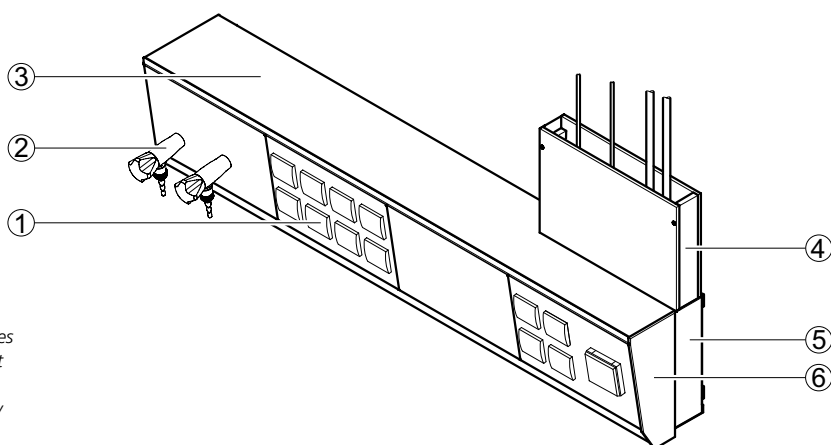
## SCALA XPRESS

### Service wall duct

#### Intended use

- Wall-mounted services supply for:
  - ▶ Laboratory benches under or in front of the service wall duct
  - ▶ Laboratory equipment on mobile tables or underbench constructions
  - ▶ Floor-mounted laboratory equipment
- Design versions for genetical engineering areas
- Tool-free installation of supplementary service duct add-on parts such as monitor arm, pipette holder, paper towel dispenser, universal storage area, etc.

#### Design



#### Technical data

Dimensions					
Width [mm]	600	900	1200	1500	1800 <sup>1)</sup>
Depth [mm]	184				
Height [mm]	252				
Service panel, width x height [mm]	300 x 200				

<sup>1)</sup> The service wall duct can be extended as desired in grid lengths of 300 mm.

Load bearing capacity	
Storage area [kg]	20 per installed grid
Design characteristics	
Construction	Service duct for wall mounting incl. solution for inside corner
Number of service panels	Depending on the width of the service duct
Material	
Storage area	Solid grade laminate shelf 5 mm
Electrics	
Electrical supply	Service panel with sockets
Fuse box	Optional
Sanitary technology	
Sanitary supply	Service panel with take-off valves for vacuum, gases and/or waters Supply pipes in the fastening profile

## SCALA XPRESS

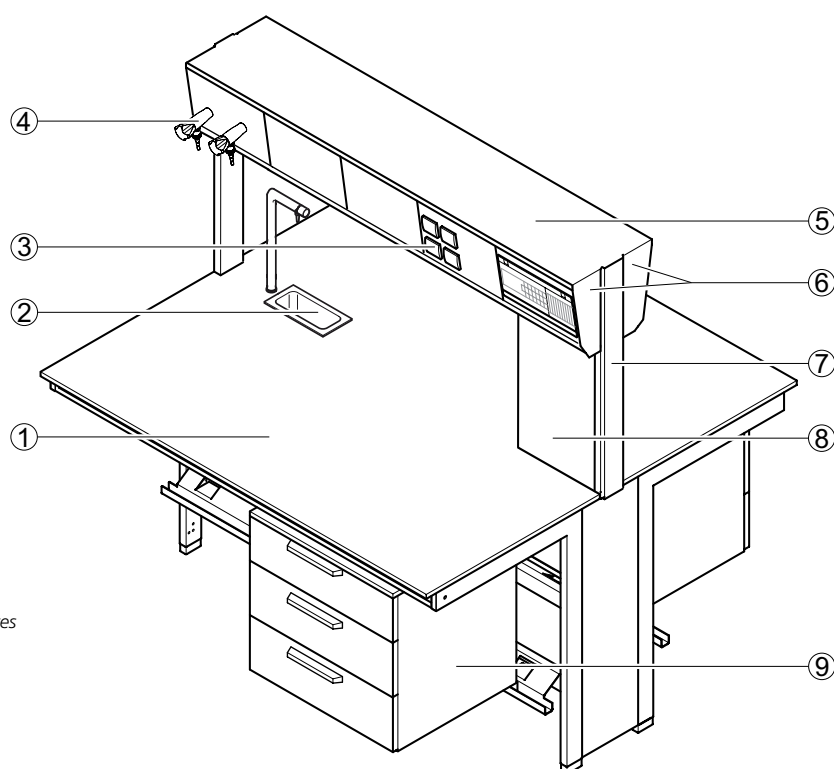
### Bench-mounted service duct

#### Intended use

- Services supply of double work benches
- Design versions for genetical engineering areas
- Modular fastening of cell add-on parts to the multipurpose uprights, e.g. glass shelves and OSB board, overbench cabinets, scaffold points, etc.
- Tool-free installation of supplementary service duct add-on parts such as pegboard, monitor arm, pipette holder, paper towel dispenser, universal storage area, etc.
- Not suitable for double benches where separate work surfaces are required (see also BGI/GUV-I 850-0)

#### Design

##### Bench-mounted service duct with cantilever frame and suspended underbench unit

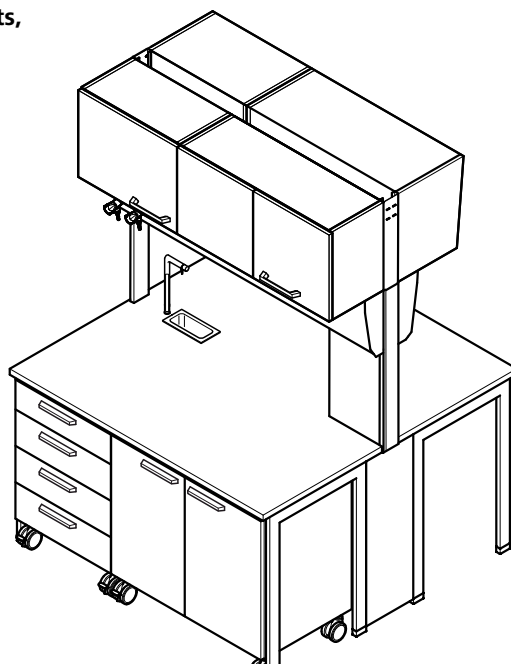


- 1 Worktop
- 2 Drip cup with water outlet
- 3 Service panel with sockets
- 4 Service panel with corner valves
- 5 Storage area, service duct
- 6 Service duct element
- 7 Multipurpose upright
- 8 Media supply duct
- 9 Suspended underbench unit

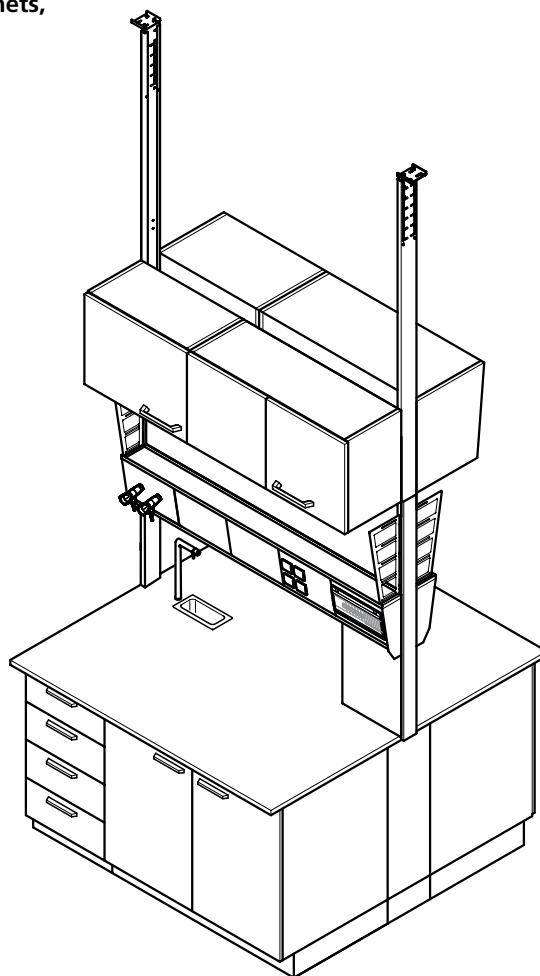
**!** Bench Mounted Service Duct cannot be combined with stoneware worktop, as cutouts are not possible!

## SCALA XPRESS Bench-mounted service duct

**Bench-mounted service duct with overbench cabinets,  
H-frame and underbench units on castors**



**Bench-mounted service duct with overbench cabinets,  
pillar extension and underbench units on plinth**





# SCALA XPRESS

## Bench-mounted service duct

2

Service modules

### Technical data

Dimensions					
Width [mm]	600	900	1200	1500	1800
Depth [mm]	310				
Height [mm]	1602				
Height, opening at working height 900 mm [mm]	450				
Height, pillar extension [mm] (for overbench cabinet, height 460 mm)	462				
Height, pillar extension [mm] (for overbench cabinet, height 760 mm)	762				
Height, pillar extension [mm] (up to ceiling height 3500 mm)	Depending on ceiling height				
Service panel, width x height [mm]	300 x 200				
Glass shelf, width x depth [mm]	Width, bench-mounted unit x 150				
Shelf of OSB board, width x depth [mm]	Width, bench-mounted unit x 300				
Load bearing capacity					
Glass shelf [kg]	20				
Shelf of OSB board [kg]	30				
Max. load per scaffold point with scaffold rod length 300 mm [kg]	5				
Design characteristics					
Construction	Double-sided service duct as bench-mounted unit with opening above the worktop				
Number of service panels	Depending on duct width				
Scaffold points ø [mm]	12 to 13				
Material					
Storage area, service duct	Solid grade laminate shelf 5 mm				
Electrics					
Electrical supply	Sockets in the service panel				
Fuse box	Optional				
Sanitary technology					
Sanitary supply	Service panel with take-off valves for vacuum, gases and/or waters Supply pipes in the bench-mounted unit				

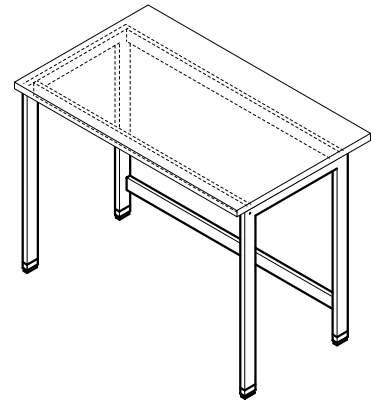
## SCALA XPRESS

### Bench with H-frame

#### Intended use

- Bench frame with worktop made of various materials as a work surface and storage area for laboratory work
- Supporting construction for analytical equipment and superstructures

#### Design



#### Technical data

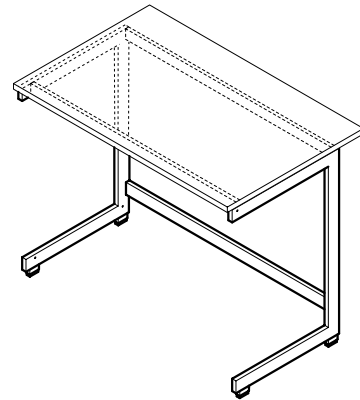
Dimensions					
Width [mm]	600	900	1200	1500	1800
Depth [mm]			600 750 900		
Working height [mm]			750 900		
Load bearing capacity					
H-frame [kg]	200 (for fixing to the wall or for fixing to a service spine)				
Design characteristics					
Construction	For suspended underbench units, cannot be moved for all kinds of frames For underbench units on castors				
Height-adjustable feet	Individually adjustable				
Material					
Bench frame	Steel profile 60/25/2 mm				
Worktop	Depending on requirement				
Height-adjustable feet	Plastic housing with steel spindle				

## SCALA XPRESS Bench with C-frame

### Intended use

- Bench frame with worktop made of various materials as a work surface and storage area for laboratory work
- Supporting construction for analytical equipment and superstructures

### Design



### Technical data

Dimensions					
Width [mm]	600	900	1200	1500	1800
Depth [mm]	600 750 900				
Working height [mm]	750 900				
Load bearing capacity					
C-frame [kg]	200				
Design characteristics					
Construction	For suspended underbench units, can be moved for all kinds of frames For movable underbench units				
Height-adjustable feet	Individually adjustable				
Material					
Bench frame	Steel profile 70/25/3 mm				
Worktop	Depending on requirement				
Height-adjustable feet	Plastic housing with steel spindle				

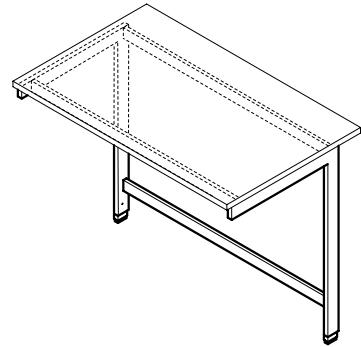
## SCALA XPRESS

### Bench with cantilever frame

#### Intended use

- Bench frame with worktop made of various materials as a work surface and storage area for laboratory work
- Supporting construction for analytical equipment and superstructures
- For fixing to the wall or for fixing to a service spine

#### Design



#### Technical data

Dimensions					
Width [mm]	600	900	1200	1500	1800
Depth [mm]			750		
			900		
Working height [mm]			750		
			900		

Load bearing capacity	
Cantilever frame [kg]	200 (for permanent mounting to a wall or a wall-mounted service spine)

Design characteristics	
Construction	For suspended and movable underbench units, can be moved for all kinds of frames
Height-adjustable feet	Individually adjustable

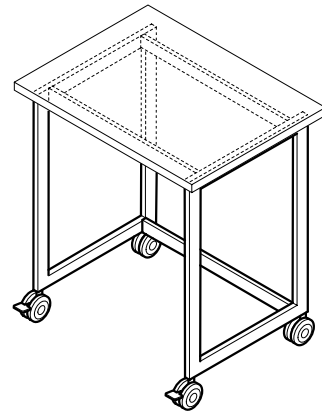
  

Material	
Bench frame	Steel profile 70/25/3 mm
Worktop	Depending on requirement
Height-adjustable feet	Plastic housing with steel spindle

**Intended use**

- Movable bench frame with worktop made of various materials as a work surface and storage area for laboratory work
- Movable supporting construction for analytical equipment and superstructures

**Design**



**Technical data**

Dimensions	
Width [mm]	900      1200      1500
Depth [mm]	600 750 900
Working height [mm]	750 900
Load bearing capacity	
Mobile table [kg]	150
Per heavy load castor [kg]	110
Design characteristics	
Heavy load castors	4, of which 2 can be locked (castor and steering axle can be locked)
Shelf	Optional
Underbench unit	Optional
Material	
Bench frame	Steel profile 60/25/2 mm
Worktop	Depending on requirement

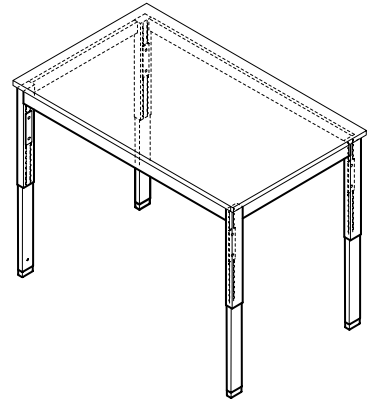
## SCALA XPRESS

### Height-adjustable table

#### Intended use

- Bench frame with worktop made of various materials as a height-adjustable work surface and storage area for laboratory work
- Supporting construction for analytical equipment and superstructures

#### Design



#### Technical data

Dimensions	
Width [mm]	1200
Depth [mm]	750 900
Working height [mm]	700 – 950


Material	
Bench frame	Steel profile 60/25/2 mm
Worktop	Depending on requirement
Height-adjustable feet	Plastic housing with steel spindle


  

Load bearing capacity	
Total [kg]	200


Design characteristics	
Working height	Can be adjusted with a grid of 25 mm
Bench frame	H-frame


<b>Melamine resin facing</b>	
Critical substances	Acids in concentrations > 10 %
Damaging substances	Concentrated hydrochloric acids Nitric acid Heated sulphuric acid
Advantage	Flat
Limitations	Joints sensitive to moisture Medium chemical resistance
Use	Mobile table, add-on table, window benches Instrument benches and laboratory benches in the dry area Cannot be used in the moist or wet area
Weight [kg/m <sup>2</sup> ]	19.6
Overall thickness [mm]	30
	Light grey NCS S 3005 R80B

<b>Polypropylene</b>	
Critical substances	Hydrocarbons Citric acid Oxalic acid Carbon tetrachloride Diesel oil
Damaging substances	Ozone Concentrated nitric acid Chloroform Petrol Benzol
Advantage	No joints Flat Light High chemical resistance to acids and many solvents Easy to dispose of Less breakage of glass
Limitations	Soft surface sensitive to scratches Sensitive to heat
Use	Areas with high resistance to chemicals Working with hydrofluoric acid Radio-isotope area Areas in which the lack of joints is important
Weight [kg/m <sup>2</sup> ]	20.3
Overall thickness [mm] Raised edge [mm]	30 7
	Light grey NCS S 3005 R80B

## SCALA XPRESS


### Worktop material


<b>Solid grade laminate</b>	
Critical substances	Acids in concentrations > 10 %
Damaging substances	Concentrated hydrochloric acids Nitric acid Heated sulphuric acid
Advantage	Moisture-resistant Flat Easy to dispose of
Limitations	Reduced coating thickness
Use	Wet rooms Physical laboratories Tables with average load
Weight [kg/m <sup>2</sup> ]	26.4
Overall thickness [mm]	19
Raised edge (as an option) [mm]	7
	Light grey NCS S 3005 R80B

<b>Solid grade laminate, EBC surface</b>	
Critical substances	Acids in concentrations > 10 %
Damaging substances	Concentrated hydrochloric acids Nitric acid Heated sulphuric acid
Advantage	Antibacterial Electron steel hardened surface (Electron Beam Curing EBC) High chemical resistance Moisture-resistant Flat Easy to dispose of
Limitations	Reduced coating thickness
Use	Chemical, microbiological, genetical-engineering laboratories
Weight [kg/m <sup>2</sup> ]	26.4
Overall thickness [mm]	20
Raised edge (as an option) [mm]	7
	Grey Similar to NCS S 3000 N



# SCALA XPRESS Worktop material


Epoxy	
Critical substances	Various solvents Diluted acids
Damaging substances	Hydrofluoric acid Concentrated warm mineral acids
Advantage	No joints Flat Solid panel High mechanical load capacity Easy to dispose of
Limitations	Surface sensitive to scratches Sensitive to concentrated acids
Use	Laboratory workstation of all type
Weight [kg/m <sup>2</sup> ]	32
Overall thickness [mm] Raised edge [mm]	19 7
	Platinum grey Similar to NCS S 4202-R

Glass	
Critical substances	None
Damaging substances	Hydrofluoric acid
Advantage	Flat High chemical resistance
Limitations	Sensitive to knocks at corners and edges
Use	Laboratory benches of all types subject to large amounts of chemicals
Weight [kg/m <sup>2</sup> ]	38
Overall thickness [mm]	30
	Light green NCS S 2010 G10Y


**!** Epoxy and glass worktops are only available with the 10-week programme!

**!** Glass worktops are only available in a grid of 1,200 / 1,500 / 1,800 mm and without cut-outs!

## SCALA XPRESS Worktop material

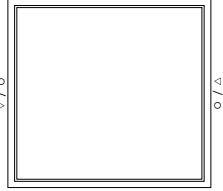
Stoneware	
Critical substances	None
Damaging substances	Hydrofluoric acid
Advantage	Best chemical resistance Mechanically stable Easy to dispose of
Limitations	Evenness tolerances due to firing process Thermodynamic stress limited
Use	Areas subject to very high chemical and mechanical stress
Weight [kg/m <sup>2</sup> ]	56
Overall thickness [mm] Raised edge [mm]	26 7
	Light grey NCS S 3005 R80B

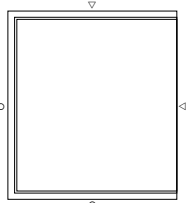
**!** No cut-outs can be made in stoneware worktops!

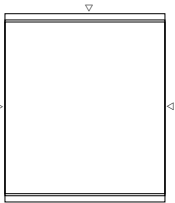
Composite worktop	
Critical substances	None
Damaging substances	Hydrofluoric acid
Advantage	Flat Lighter than stoneware Best chemical resistance Easy to dispose of
Limitations	Thermodynamic stress limited
Use	Areas with very high chemical stress
Weight [kg/m <sup>2</sup> ]	40
Overall thickness [mm] Raised edge [mm]	30 7
	White Similar to NCS S 0300-N

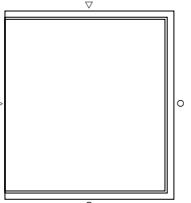
**!** Please consider available dimensions for Stoneware and composite w/ raised edge!

# SCALA XPRESS Worktop material

4-sided raised edge On all 4 sides	Application	Depth [mm]	Width 1200 [mm]	Width 1500 [mm]	Width 1800 [mm]
 <p>▷ Machine-cut edge ○ Glazed edge</p>	Bench w/o spine 750	748	✓	×	×
	Bench w/o spine 900	898	✓	×	×
	Bench w. spine 750	672	×	×	✓
	Bench w. spine 900	822	✓	✓	✓
	Double bench w. spine 1500	702	×	×	×
	Double bench w. spine 1800	852	✓	✓	✓
<p>✓ available × not available</p>					

3-sided raised edge On front, left and back	Application	Depth [mm]	Width 898 [mm]	Width 1198 [mm]	Width 1498 [mm]	Width 1798 [mm]
 <p>▷ Machine-cut edge ○ Glazed edge</p>	Bench w/o spine 750	745	×	×	✓	✓
	Bench w/o spine 900	895	✓	✓	✓	✓
	Bench w. spine 750	672	✓	✓	✓	✓
	Bench w. spine 900	822	✓	✓	✓	✓
	Double bench w. spine 1500	702	✓	✓	✓	✓
	Double bench w. spine 1800	852	✓	✓	✓	✓
<p>✓ available × not available</p>						

2-sided raised edge On front and back	Application	Depth [mm]	Width 895 [mm]	Width 1195 [mm]	Width 1495 [mm]	Width 1795 [mm]
 <p>▷ Machine-cut edge ○ Glazed edge</p>	Bench w/o spine 750	745	✓	✓	✓	×
	Bench w/o spine 900	895	✓	✓	✓	×
	Bench w. spine 750	672	×	✓	×	×
	Bench w. spine 900	822	✓	✓	✓	✓
	Double bench w. spine 1500	702	✓	✓	✓	×
	Double bench w. spine 1800	852	✓	✓	✓	✓
<p>✓ available × not available</p>						

3-sided raised edge On front, right and back	Application	Depth [mm]	Width 898 [mm]	Width 1198 [mm]	Width 1498 [mm]	Width 1798 [mm]
 <p>▷ Machine-cut edge ○ Glazed edge</p>	Bench w/o spine 750	745	×	×	✓	✓
	Bench w/o spine 900	895	✓	✓	✓	✓
	Bench w. spine 750	672	✓	✓	✓	✓
	Bench w. spine 900	822	✓	✓	✓	✓
	Double bench w. spine 1500	702	✓	✓	✓	✓
	Double bench w. spine 1800	852	✓	✓	✓	✓
<p>✓ available × not available</p>						

**!** No cut-outs can be made in stoneware worktops!

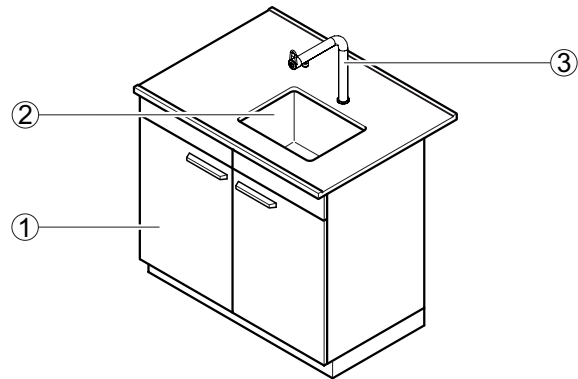
## SCALA XPRESS Laboratory sink

### Intended use

- Water supply and disposal
- For cleaning operating equipment
- To take up large amounts of water
- Not suitable for the disposal of chemicals

### Design

- 1 Underbench unit  
2 Sink  
3 Outlet



### Technical data

Material Worktop	Material Sinks	Sink dimensions Width x depth x height [mm]	Type of installation
Melamine resin facing, Solid grade laminate, Solid grade laminate EBC surface, Polypropylene	Polypropylene	380 x 380 x 250 530 x 380 x 250 680 x 380 x 250	Sink with surrounding raised edge installed in the worktop from above

Dimensions					
Width [mm]	600	900	1200	1500	1800
Depth [mm]	600 <sup>1)</sup> 675 <sup>1)</sup> 705 <sup>1)</sup> 750 825 855 900				
Working height [mm]	900				

<sup>1)</sup> Positioning of the outlets on the side of the sink, if required

**!** For worktop material please refer to category „worktops“  
(Stoneware worktops are excluded on account of cut-outs!)

**!** Available sink material: - Polypropylene

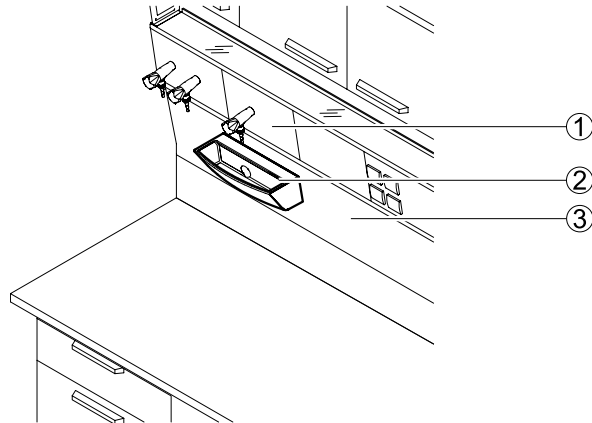
## SCALA XPRESS

### Drip cup on service spine

#### Intended use

- Water supply and disposal
- For cleaning operating equipment
- Sink module underneath water fittings to take up small amounts of water
- Not suitable for the disposal of chemicals

#### Design



- 1 Service panel with corner valves
- 2 Sink module
- 3 Fascia panel for service spine

#### Technical data

Dimensions		Polypropylene
Width [mm]		294
Depth [mm]		132
Height [mm]		112
Internal sink dimensions width x depth x height [mm]		Approx. 280 x 93 x 93
Material		
Sink module		Polypropylene
Design characteristics		
Construction		Attached to the fascia panel of the service spine
Sanitary technology		
Water connection		Permanent connection
Waste water connection		Permanent connection with siphon
Water fitting (tap)		Cell outlets as an option

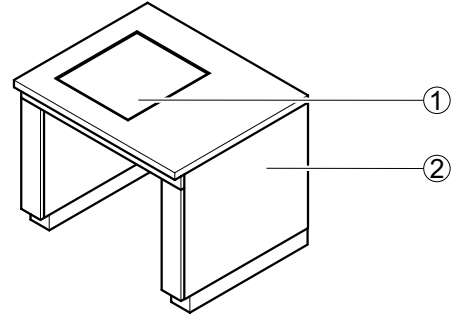
## SCALA XPRESS

### Balance table

#### Intended use

- For setting up analytical balances and other sensitive measuring equipment
- Bench frame with worktop and specially mounted, vibration-free plate

#### Design



- 1 Balance plate made of fine concrete  
2 Table cover

#### Technical data

Dimensions	
Width [mm]	900
Depth [mm]	750 900
Working height [mm]	750 900
Width x depth [mm] balance plate	400 x 450

Material	
Supporting construction	Steel profile
Worktop	Melamine Solid grade laminate Solid grade laminate, EBC surface
Balance plate	Fine concrete

Weight	
Total weight [kg]	120
Balance plate [kg]	65

Design characteristics	
Construction	Specially mounted, heavy balance plate made of fine concrete Supporting construction with balance plate, vibration-decoupled



# SCALA XPRESS

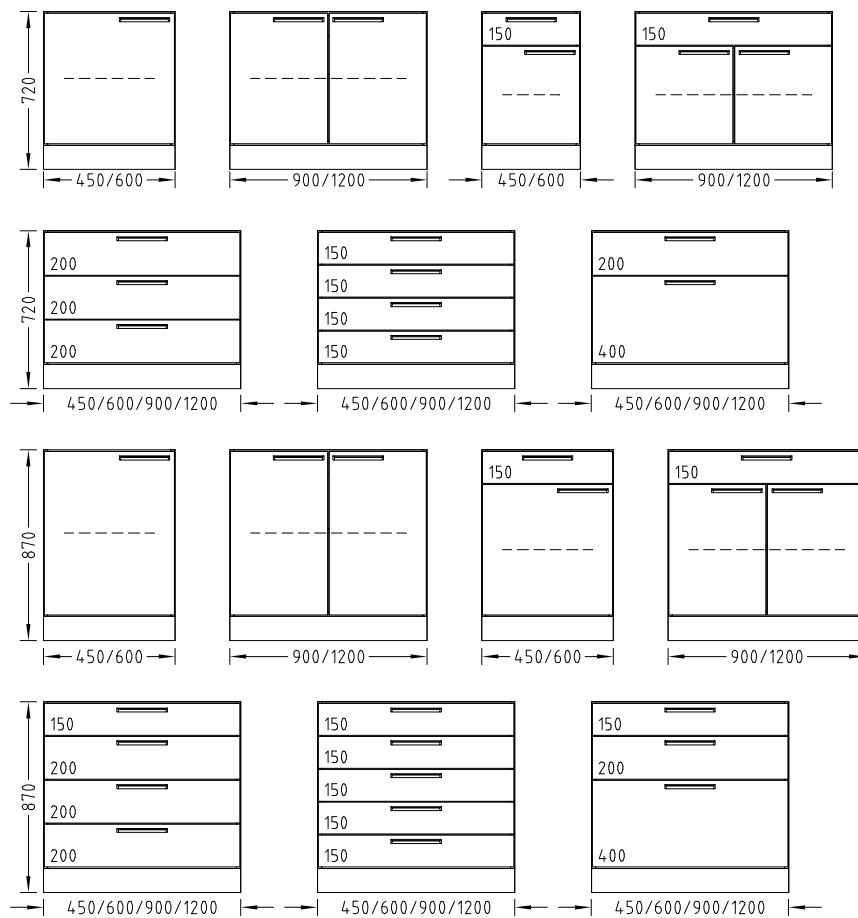
## Underbench unit on plinth

**!** Possible storage cupboard material in XPRESS: Standard melamine!

### Intended use

- For storing equipment and chemicals in acc. with EN 14727
- For working heights of 750 mm and 900 mm
- Not suitable for storing flammable liquids, gas cylinders and self-igniting or self-decomposing substances
- Not suitable for storing acids and alkalis

### Variants





# SCALA XPRESS

## Underbench unit on plinth

### Technical data

Dimensions				
Width [mm]	450	600	900	1200
Depth [mm]	550			
Overall height [mm]	720 870			
Height, drawers [mm]	150 200 400 Combination possibilities see variants			
Height, plinth [mm]	110			

Load bearing capacity	
Per shelf/drawer [kg]	30

Design characteristics	
Construction	For working height 750 and 900 mm Hinged doors with 270° hinges Drawers, fully extensible Open at the top, rear panel can be removed Shelf, height-adjustable 4 height-adjustable feet
Combination possibilities	See variants
Handle	Handle bar SCALA U handle, stainless steel
Full-height drawers	Optional
Soft stop for drawer	Standard
Extract air spigot	Optional
Closing	Optional

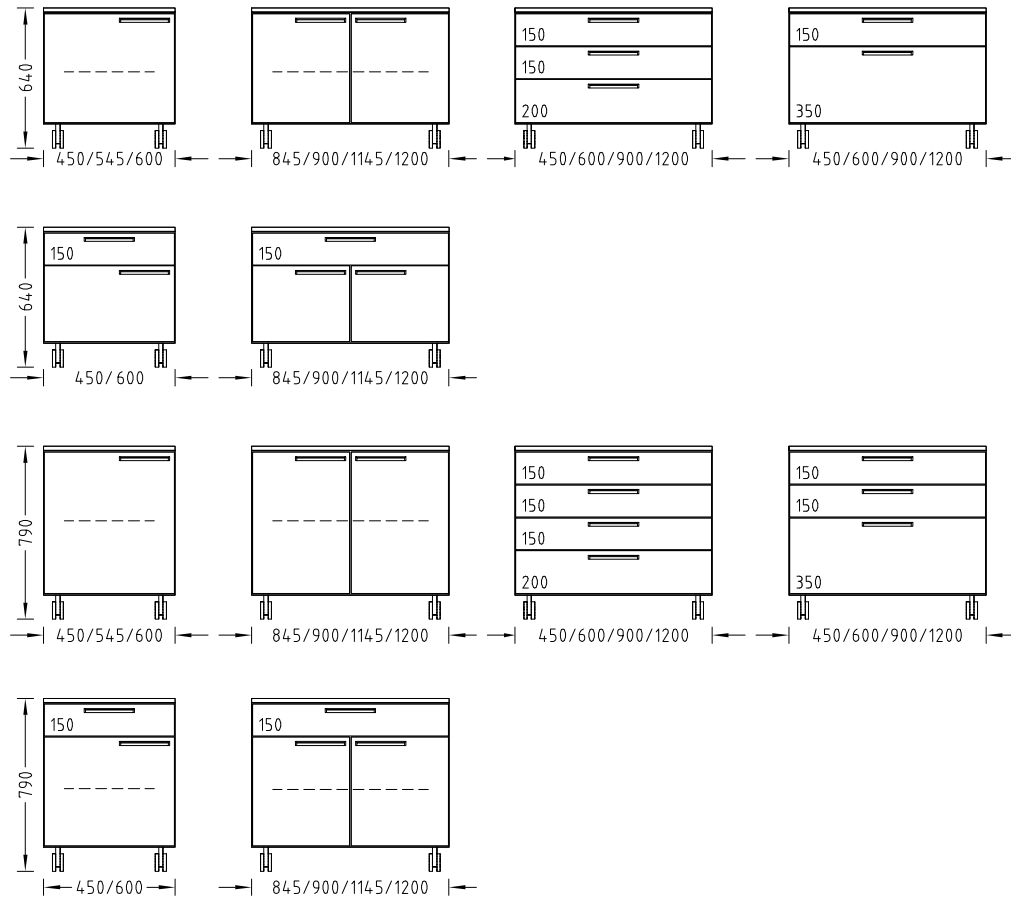
# SCALA XPRESS

## Underbench unit on castors

### Intended use

- For storing equipment and chemicals flexibly in acc. with EN 14727
- For working heights of 750 mm and 900 mm
- Not suitable for storing flammable liquids, gas cylinders and self-igniting or self-decomposing substances
- Not suitable for storing acids and alkalis

### Variants



# SCALA XPRESS

## Underbench unit on castors

### Technical data

Dimensions							
Width [mm]	450	545	600	845	900	1145	1200
Depth [mm]	550						
Overall height [mm]	640 790						
Height, drawers [mm]	150 200 350 Combination possibilities see variants						
Height, castors [mm]	110						

Load bearing capacity	
Per shelf/drawer [kg]	30
Per castor [kg]	70

Design characteristics	
Construction	For working height 750 and 900 mm Hinged doors with 270° hinges Drawers, fully extensible and with change-pull-out catch Shelf, height-adjustable Covered at the top, rear panel permanently connected with the carcass 4 swivelling castors, front castors can be locked
Combination possibilities	See variants
Handle	Handle bar SCALA U handle, stainless steel
Soft stop for drawer	Standard
Closing	Optional
Drawers with change-pull-out catch	Standard

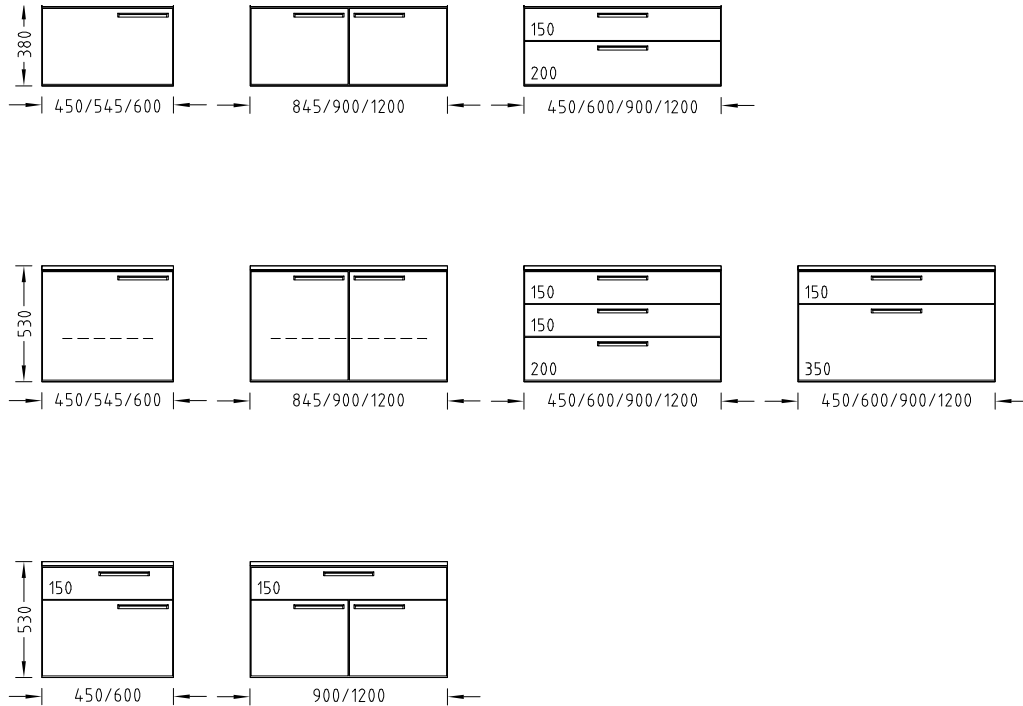
## SCALA XPRESS

### Suspended underbench unit

#### Intended use

- For storing equipment and chemicals flexibly in acc. with EN 14727
- For working heights of 750 mm and 900 mm
- Not suitable for storing flammable liquids, gas cylinders and self-igniting or self-decomposing substances
- Not suitable for storing acids and alkalis

#### Variants



# SCALA XPRESS

## Suspended underbench unit

### Technical data

Dimensions							
Width [mm]	450	545	600	845	900	1145	1200
Depth [mm]	500 (depth of frame 572) 550 (depth of frame 672)						
Height [mm]	380 530						
Height, drawers [mm]	150 200 350 Combination possibilities see variants						

Load bearing capacity	
Per shelf/drawer [kg]	30

Design characteristics	
Construction	For working height 750 and 900 mm 2 fittings for attaching to the profile rail of the bench frame Hinged doors with 270° hinges Drawers, fully extensible Covered at the top, rear panel permanently connected with the carcass Shelf, height-adjustable For C-frame/cantilever bench frame: Can be moved to the sides until it protrudes over the bench grid Hinged doors with 1 shelf at a height of 530 mm
Combination possibilities	See variants
Handle	Handle bar SCALA U handle, stainless steel
Soft stop for drawer	Standard
Closing	Optional

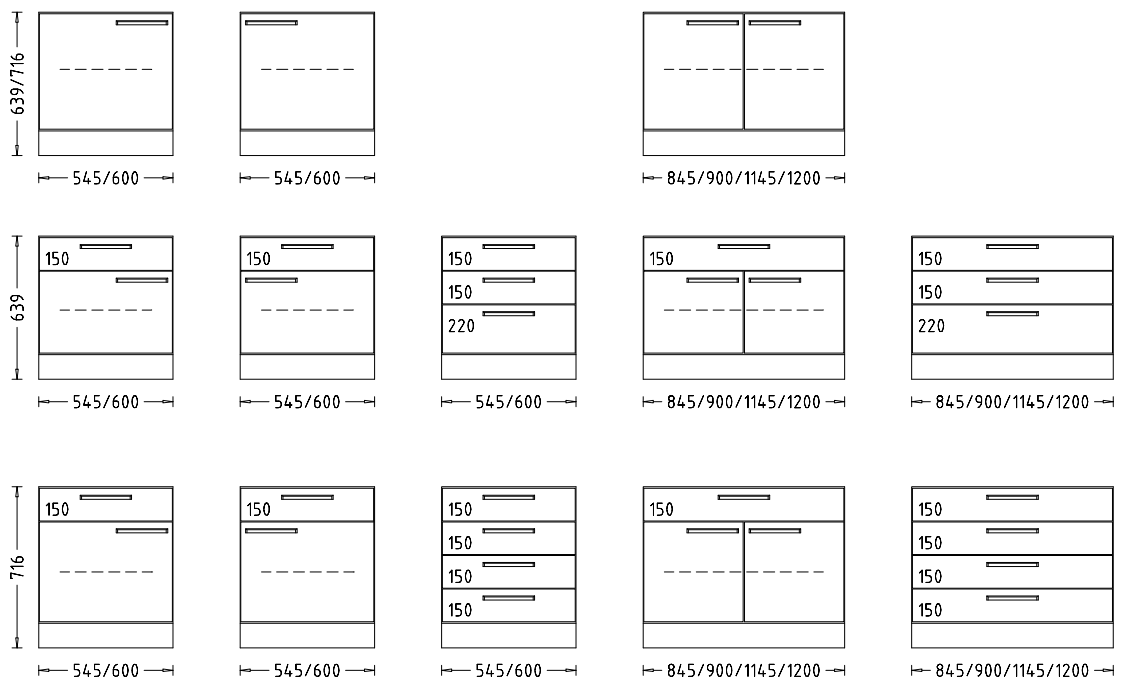
## SCALA XPRESS

## Push-in underbench unit for fume hoods

## Intended use

- For storing equipment and chemicals in acc. with EN 14727
- For fume hoods with rear panel installation and for fume hoods with side installation on a steel support frame
- Not permitted for storing flammable liquids, gas cylinders and self-igniting or self-decomposing substances
- Not permitted for storing acids and alkalis

## Variants



# SCALA XPRESS

## Push-in underbench unit for fume hoods

### Technical data

Dimensions						
Width [mm]	545	600	845	900	1145	1200
Depth [mm]	550					
Overall height [mm], push-in underbench unit for bench-mounted fume hoods with rear panel installation	640					
Overall height [mm], push-in underbench unit for bench-mounted fume hoods with side installation	716					
Height, plinth [mm]	110					
Height, drawers [mm]	150 220					
Combination possibilities see variants						

Load bearing capacity	
Per shelf [kg]	30

Design characteristics	
Construction	Hinged doors with 270° hinges Drawers, fully extensible Closed at the top, rear panel can be removed Shelf, height-adjustable 4 height-adjustable feet
Combination possibilities	See variants
Handle	Handle bar SCALA U handle, stainless steel
Extract air spigot	Optional
Closing	Optional

## SCALA XPRESS

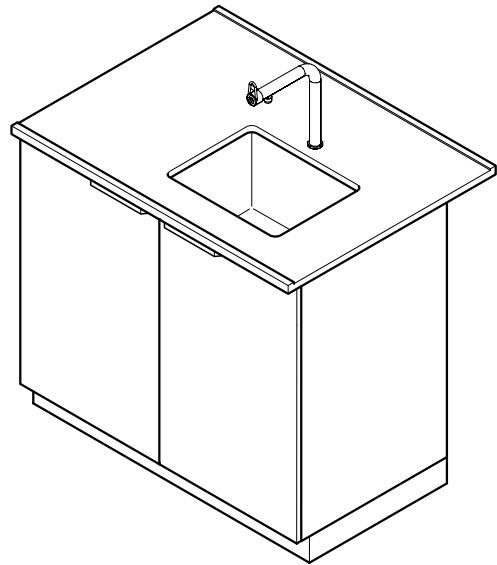
### Underbench unit for sinks

#### Intended use

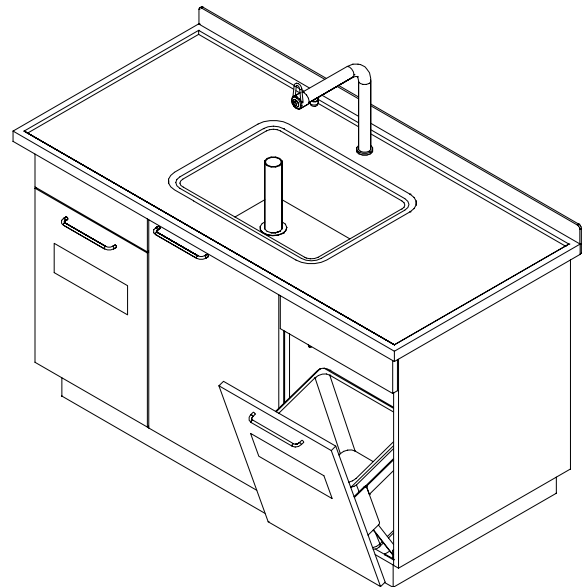
- As an underbench unit for sinks for storing equipment and chemicals in acc. with EN 14727
- Not suitable for storing flammable liquids, gas cylinders and self-igniting or self-decomposing substances
- Not suitable for storing acids and alkalis

#### Design

#### Sink with underbench unit for service spines or wall benches



#### End sink for double benches

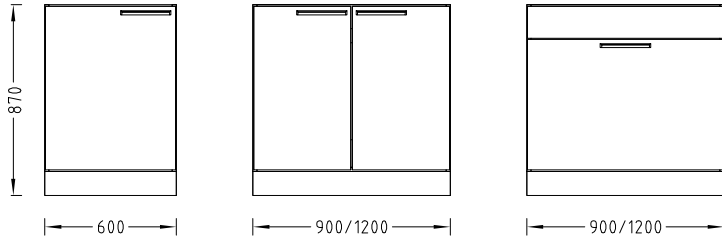




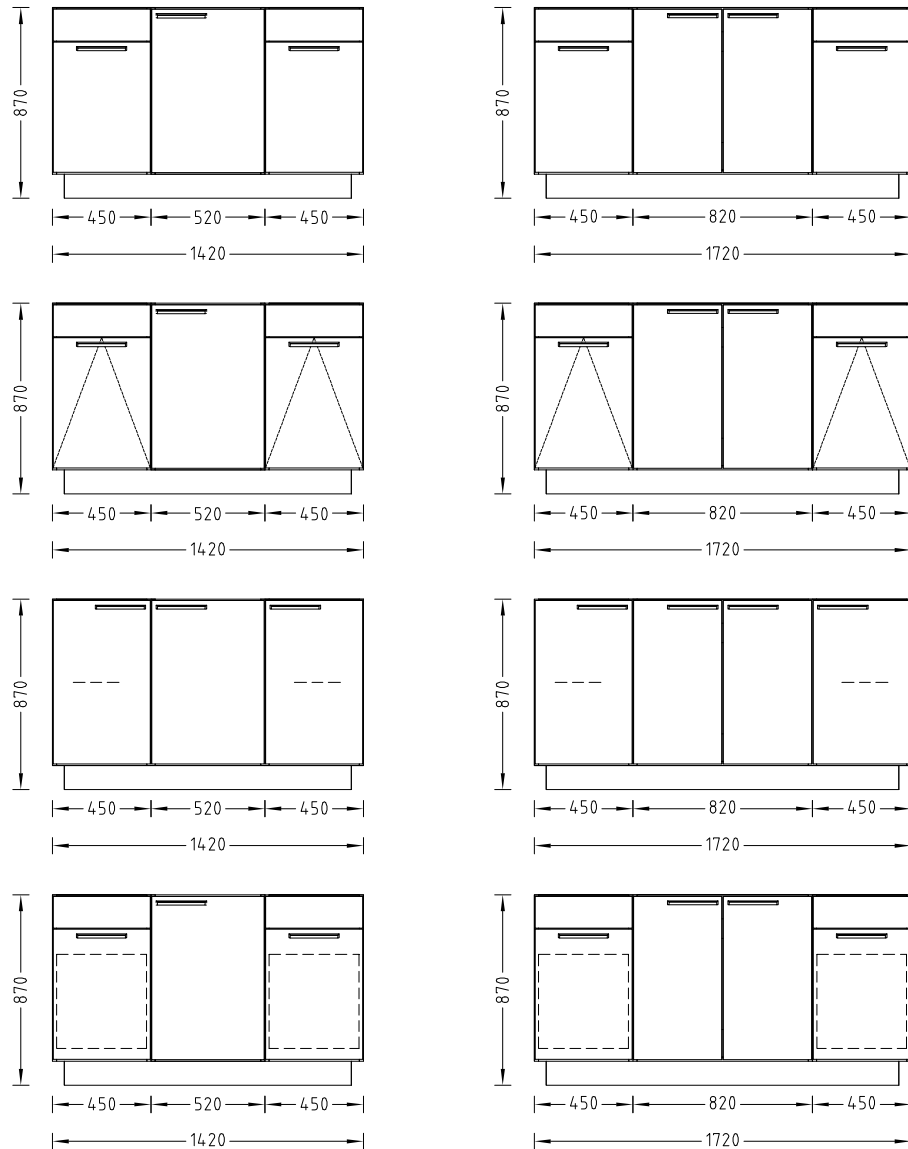
# SCALA XPRESS Underbench unit for sinks

## Variants

### Sink with underbench unit for service spines or wall benches



### End sink for double benches



## SCALA XPRESS

### Underbench unit for sinks

#### Technical data

Dimensions					
Width [mm]	600 <sup>1)</sup>	900 <sup>1)</sup>	1200 <sup>1)</sup>	1420 <sup>2)</sup>	1720 <sup>2)</sup>
Depth [mm]	550			700	
Overall height [mm]	870				
Height, plinth [mm]	110				

<sup>1)</sup> For sinks on service spines or wall benches

<sup>2)</sup> For end sinks

Load bearing capacity	
Per shelf/drawer [kg]	30

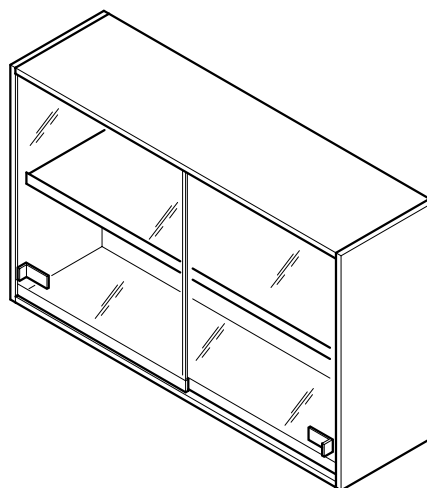
Design characteristics	
Construction	Hinged doors with 270° hinges 4 height-adjustable feet Inclined swivel door with waste bin 30 l Waste bin 2 x 15 l with full-height drawer Waste bin 2 x 35 l with full-height drawer Hinged door(s), full-height drawer Combination possibilities see variants
Handle	Handle bar SCALA U handle, stainless steel
Closing	Optional

# SCALA XPRESS Overbench cabinet

## Intended use

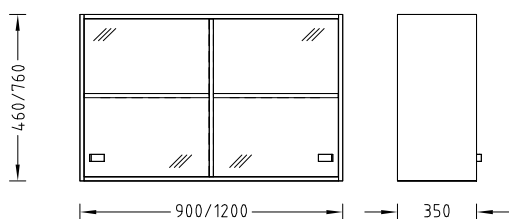
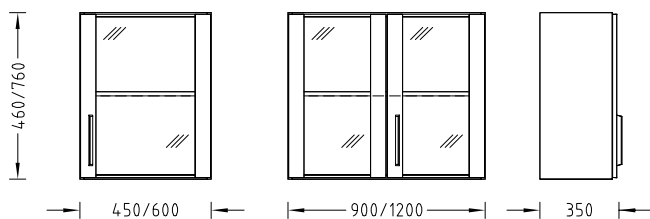
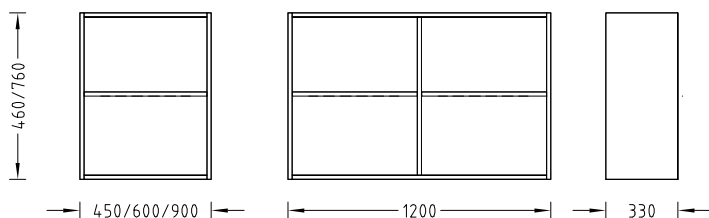
- For storing equipment and chemicals in acc. with EN 14727
- Not permitted for storing flammable liquids, gas cylinders and self-igniting or self-decomposing substances
- Not permitted for storing acids and alkalis

## Design

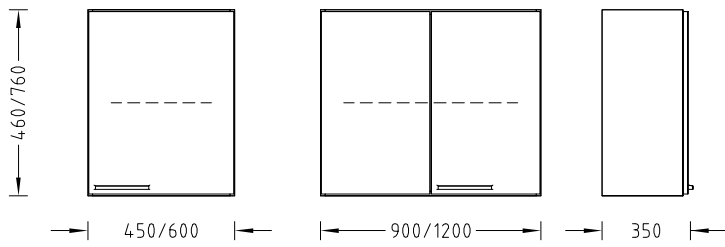


Storage cupboards

## Variants



## SCALA XPRESS Overbench cabinet



### Technical data

Dimensions				
Width [mm]	450	600	900	1200
Depth [mm]	350			
Height [mm]	460 760			

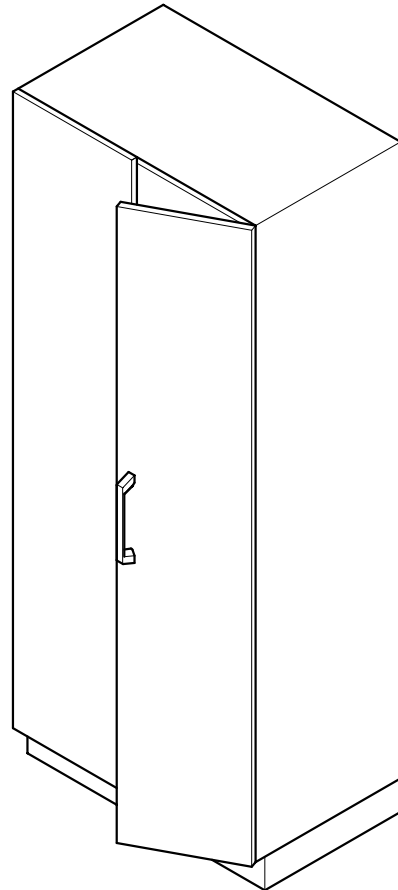
Load bearing capacity	
Per shelf [kg]	30
Load bearing capacity, total [kg]	60

Design characteristics	
Construction	Height-adjustable fitting for fastening to the wall or to the service spine For a width of 1200 mm with central panel Shelf, height-adjustable
Combination possibilities	See variants
Handle	U handle SCALA U handle, stainless steel Glass sliding door with affixed plastic handle
Closing	Optional

### Intended use

- For storing equipment and chemicals in acc. with EN 14727
- Not permitted for storing flammable liquids, gas cylinders and self-igniting or self-decomposing substances
- Not permitted for storing acids and alkalis

### Design



# SCALA XPRESS Laboratory cabinet

Storage cupboards

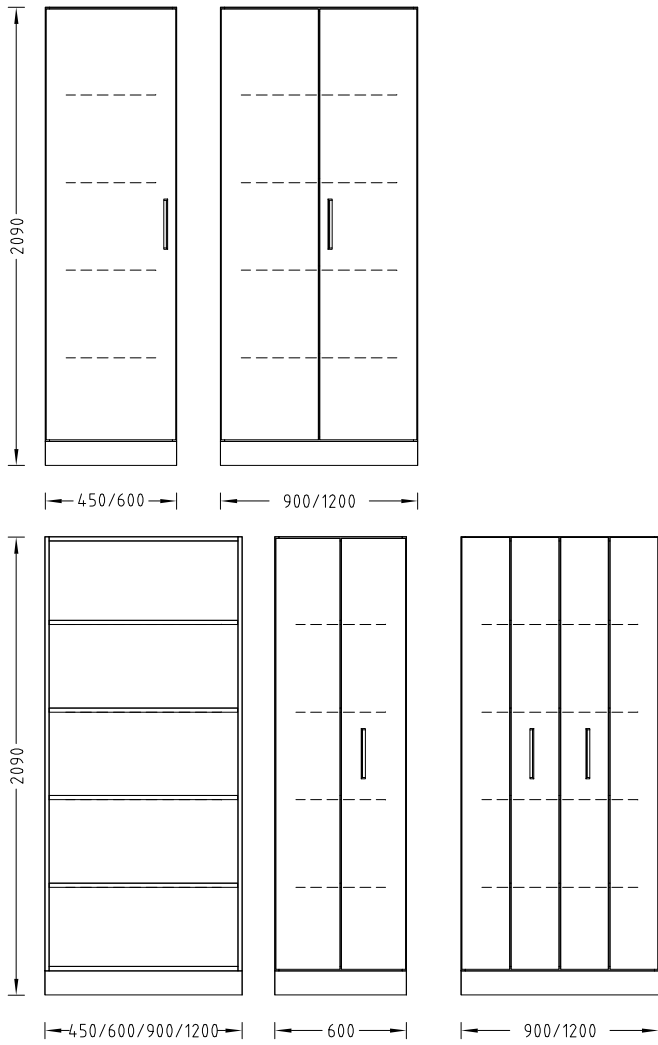
## Variants



# SCALA XPRESS Laboratory cabinet

4

## Storage cupboards



## SCALA XPRESS Laboratory cabinet

### Technical data

Dimensions				
Width [mm]	450	600	900	1200
Depth [mm]			350	550
Overall height [mm]			2090	
Height, plinth [mm]			110	

Load bearing capacity	
Per shelf [kg]	30

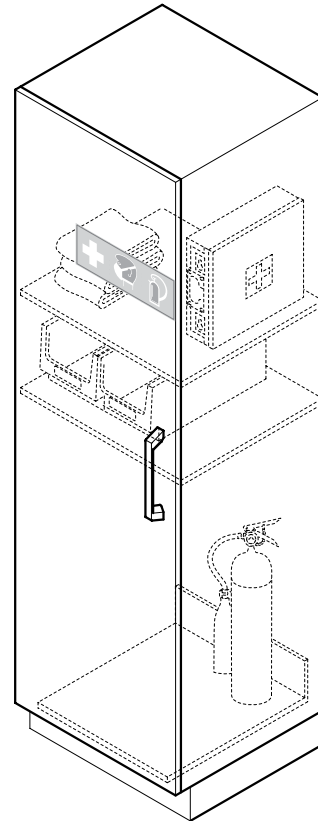
Design characteristics	
Construction	Hinged doors with 270° hinges Shelves, height-adjustable Drawers, fully extensible 4 height-adjustable feet
Combination possibilities	See variants Drawers only with a depth of 550 mm
Handle	U handle SCALA U handle, stainless steel
Shelves, extendable	Optional (with a cabinet depth of 550 mm)
Drawers	Optional (with a cabinet depth of 550 mm)
Soft stop for drawer	Standard
Extract air spigot	Optional
Closing	Optional



## Intended use

- For storing protection and rescue materials (fire extinguisher, first aid case, etc.)
- Not permitted for storing flammable liquids, gas cylinders and self-igniting or self-decomposing substances
- Not permitted for storing acids and alkalis

## Design



## Technical data

Dimensions	
Width [mm]	600
Depth [mm]	350 550
Overall height [mm]	2090
Height, plinth [mm]	110

Design characteristics	
Construction	Hinged door with 270° hinges 4 shelves, height-adjustable 4 height-adjustable feet
Equipment	First aid case Fire extinguisher, 5 kg Sand boxes Shovel Fire blankets

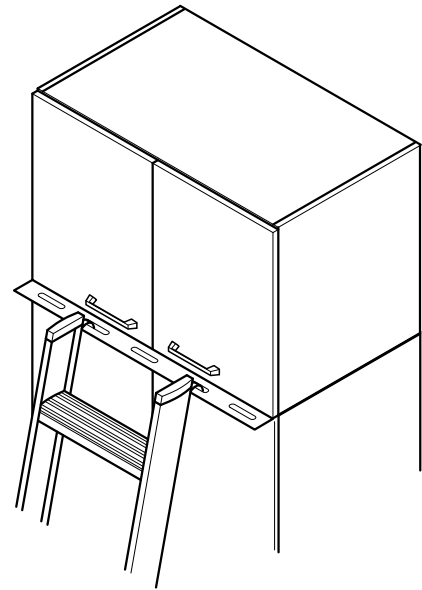
## SCALA XPRESS

### Top-mounted cabinet

#### Intended use

- For storing equipment and chemicals in acc. with EN 14727
- Only suitable as a permanently installed top part on the following Waldner cabinets: Laboratory cabinet, pull-out cabinet, emergency cabinet and acids and alkalis cabinet
- Not permitted for storing flammable liquids, gas cylinders and self-igniting or self-decomposing substances
- Not permitted for storing acids and alkalis

#### Design



#### Technical data

Dimensions				
Width [mm]	450	600	900	1200
Depth [mm]			350	550
Height [mm]			610	760

Load bearing capacity	
Per shelf [kg]	30

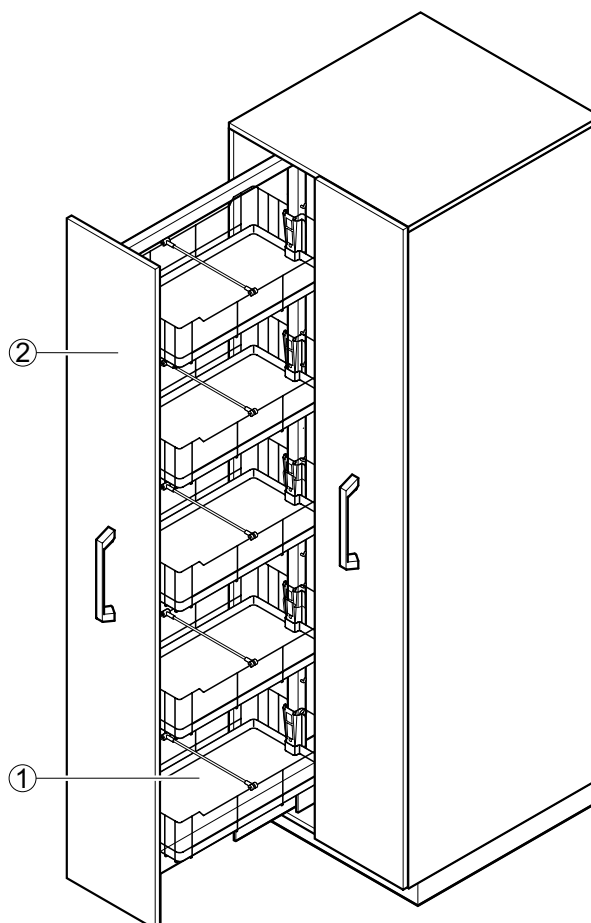
Design characteristics	
Construction	With rail for securing a ladder For laboratory cabinets with or without extract air spigot 1 shelf, height-adjustable Hinged doors
Handle	U handle SCALA U handle, stainless steel
Hook ladder	Optional
Closing	Optional

## SCALA XPRESS Pull-out cabinet

### Intended use

- For storing liquid or solid substances in suitable containers in acc. with EN 14727
- Not permitted for storing flammable liquids, gas cylinders and self-igniting or self-decomposing substances
- Not permitted for storing acids and alkalis

### Design



- 1 Wire basket with tray
- 2 Pull-out

## SCALA XPRESS Pull-out cabinet

### Technical data

Dimensions	
Width [mm]	600   900
Depth [mm]	550
Overall height [mm]	2090
Height, plinth [mm]	110
Tray, width x depth x height [mm]	240 x 425 x 40

Load bearing capacity	
Per drawer [kg]	120
Per tray [kg]	10

Design characteristics	
Construction	5 wire baskets with trays for each drawer, height-adjustable Fastened to the wall 4 height-adjustable feet Drawer doors with drawers accessible from both sides
Handle	U handle SCALA U handle, stainless steel
Soft stop for drawers	Optional
Compartment partitioning	Optional
Extract air spigot	Optional
Closing	Optional

Material	
Tray	Polyethylene

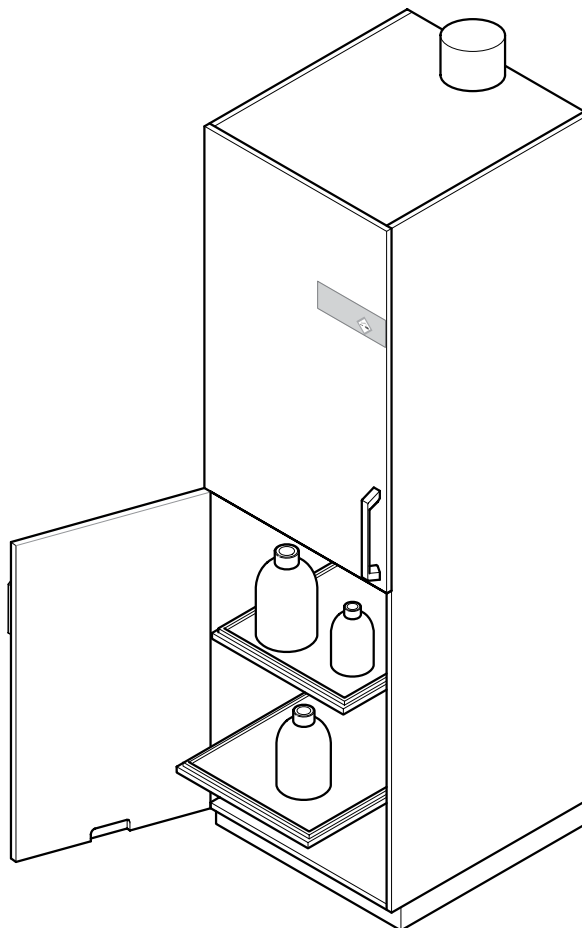
# SCALA XPRESS

## Laboratory cabinet for storing acids and alkalis

### Intended use

- For storing limited amounts of flammable acids and alkalis
- Not suitable for storing flammable liquids, gas cylinders and self-igniting or self-decomposing substances

### Design



# SCALA XPRESS

## Laboratory cabinet for storing acids and alkalis

### Technical data

Dimensions	
Width [mm]	600
Depth [mm]	550
Overall height [mm]	2090
Height, plinth [mm]	110

Load bearing capacity	
Per shelf, height-adjustable [kg]	30
Per pull-out shelf [kg]	20

Design characteristics	
Construction	Connection to the permanently active ventilation system 4 shelves, fixed or pull-out 4 height-adjustable feet Separate compartments for acids and alkalis Trays made of polypropylene Coated fittings Hinged doors
Handle	U handle SCALA U handle, stainless steel

Ventilation data	
Air exchange rate [m <sup>3</sup> /h]	100
Ventilation connection Ø [mm]	90
Connection height extract air spigot [mm]	2176

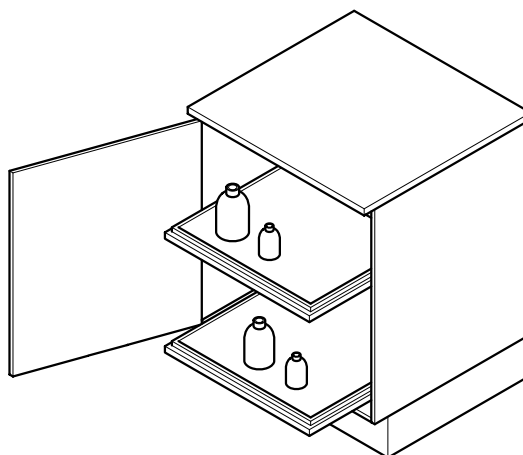
# SCALA XPRESS

## Underbench safety unit for fume hoods for storing acids and alkalis

### Intended use

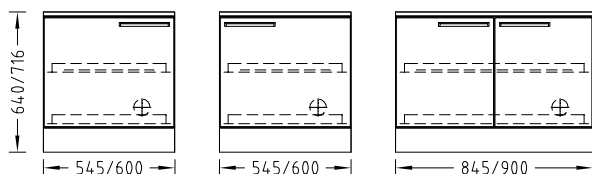
- Push-in or self-supporting underbench unit for bench-mounted fume hoods for storing limited amounts of acids and alkalis
- Not suitable for storing flammable liquids, gas cylinders and self-igniting or self-decomposing substances

### Design

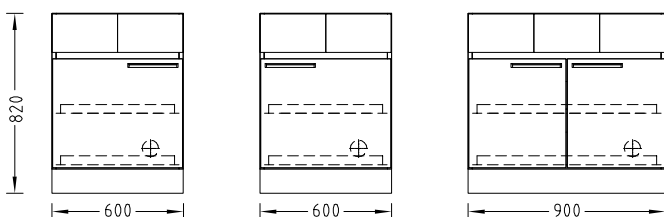


### Variants

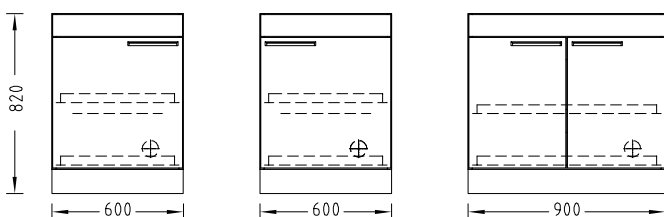
#### Push-in underbench units



#### Self-supporting underbench units for fume hoods with rear panel installation



#### Self-supporting underbench units for fume hoods with side installation



## SCALA XPRESS

## Underbench safety unit for fume hoods for storing acids and alkalis

## Technical data

Dimensions	
Width [mm]	600   900
Depth [mm]	550
Width for push-in underbench units [mm]	545/600/845/900
Overall height [mm], push-in underbench units for bench-mounted fume hoods with rear panel installation	640
Overall height [mm], push-in underbench units for bench-mounted fume hoods with side installation	716
Overall height [mm], self-supporting underbench units for bench-mounted fume hoods with rear panel/side installation	820
Height, plinth [mm]	110
Load bearing capacity	
Extendable shelf [kg]	20
Design characteristics	
Construction	<ul style="list-style-type: none"> <li>Connection to the permanently active ventilation system</li> <li>4 height-adjustable feet</li> <li>Coated fittings</li> <li>2 extendable shelves with trays</li> <li>Hinged doors</li> <li>Combination possibilities see variants</li> </ul>
Handle	<ul style="list-style-type: none"> <li>Handle bar SCALA</li> <li>U handle, stainless steel</li> </ul>
Ventilation data	
Air exchange rate [m <sup>3</sup> /h]	30
Ventilation connection to the ascending duct Ø [mm]	90



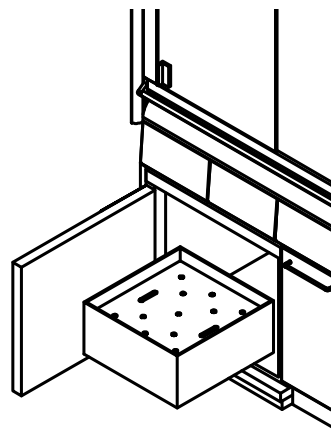
# SCALA XPRESS

## FWF 90 underbench safety unit for fume hoods for storing flammable liquids

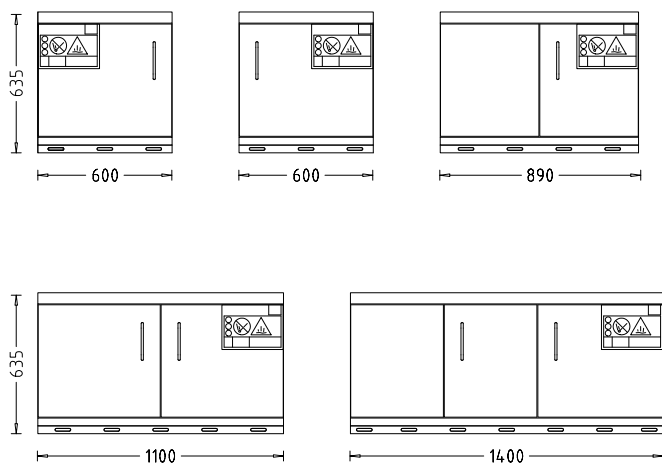
### Intended use

- Push-in underbench unit for bench-mounted fume hoods for storing limited amounts of flammable liquids
- Not suitable for storing gas cylinders and self-igniting or self-decomposing substances
- Not suitable for storing acids and alkalis

### Design



### Variants



## SCALA XPRESS

## FWF 90 underbench safety unit for fume hoods for storing flammable liquids

## Technical data

Dimensions				
Width [mm]	600	890	1100	1400
Depth [mm]	600			
Overall height [mm]	635			
Height, plinth [mm]	35			
Max. weight [kg]	130	170	220	290

Load bearing capacity	
Rigid shelf [kg]	30
Drawers [kg]	25

Design characteristics	
Construction	Connection to the permanently active ventilation system Connection to the earth wire with potential equalisation With closing Tray with perforated plate insert Self-closing through current-independent thermal activation in the case of fire Hinged doors Drawer
Combination possibilities	See variants
Handle	U handle, stainless steel
Additional tray pull-out	Optional for drawers
Regulations and standards	EN 14470-1 TRGS 510

Ventilation data	
Air exchange rate [m <sup>3</sup> /h]	30
Ventilation connection to the ascending duct Ø[mm]	90

Material	
Underbench unit	Powder-coated stainless steel on the outside Colour: Pure white RAL 9010
Ventilation connection	PPS

# SCALA XPRESS

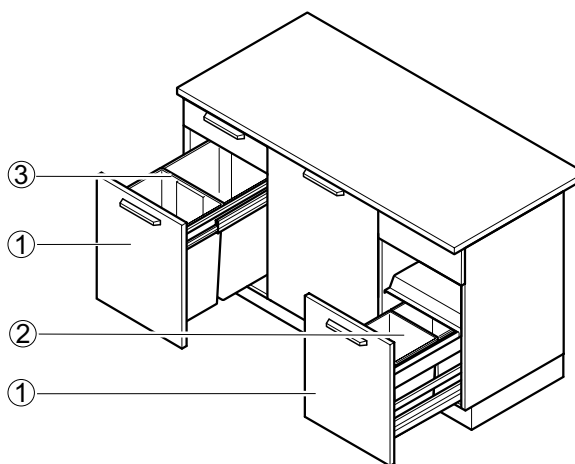
## Waste disposal system for solid matter and domestic waste

### Intended use

- For the disposal of remnants of solid matter and garbage from laboratory work
- Not suitable for the permanent storage of solid matter and garbage
- Not permitted for the disposal of hazardous substances, especially:
  - ▶ Acids and alkalis
  - ▶ Flammable liquids
  - ▶ Gas cylinders
  - ▶ Radioactive substances
  - ▶ Microorganisms

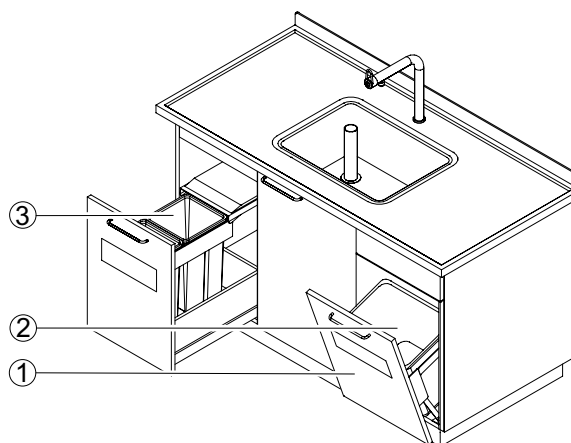
### Design

#### Waste bin with full-height drawer



- 1 Full-height drawer
- 2 Waste bin 2 x 15 l
- 3 Waste bin 2 x 35 l

#### Waste bin with tilting door



- 1 Tilting door
- 2 Waste bin 30 l
- 3 Waste bin 2 x 35 l

## SCALA XPRESS

## Waste disposal system for solid matter and domestic waste

## Technical data

Dimensions for underbench unit on plinth				
Width x height [mm]	450 x 870	600 x 870	450 x 720	600 x 720
Depth [mm]	550			
Height, plinth [mm]	110			
Capacity with full-height drawer	2 x 15 l or 2 x 35 l	2 x 15 l –	2 x 15 l or 2 x 35 l	2 x 15 l –
Capacity with tilting door	1 x 30 l			

Dimensions for underbench unit for sinks			
Width x height [mm]	600 x 870	900 x 870	1200 x 870
Depth [mm]	550		
Height, plinth [mm]	110		
Capacity with full-height drawer	–	2 x 15 l	
Capacity with tilting door	1 x 30 l	2 x 30 l	

Dimensions for self-supporting underbench unit for bench-mounted fume hoods	
Width x height [mm]	600 x 820
Depth [mm]	550
Height, plinth [mm]	110
Capacity with full-height drawer	2 x 15 l
Capacity with tilting door	1 x 30 l

Dimensions for push-in underbench unit for bench-mounted fume hoods		
Width x height [mm]	545 x 639	600 x 639
Depth [mm]	550	
Height, plinth [mm]	110	
Capacity with full-height drawer	2 x 15 l	
Capacity with tilting door	1 x 30 l	

Design characteristics	
Door	Full-height drawer Tilting door
Automatic foot-operated opening	Optionally for full-height drawers up to a width of 600 mm
Extract air spigot	Optional

Material	
Ventilation connection	PPS

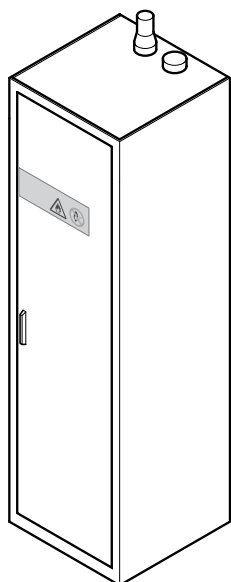
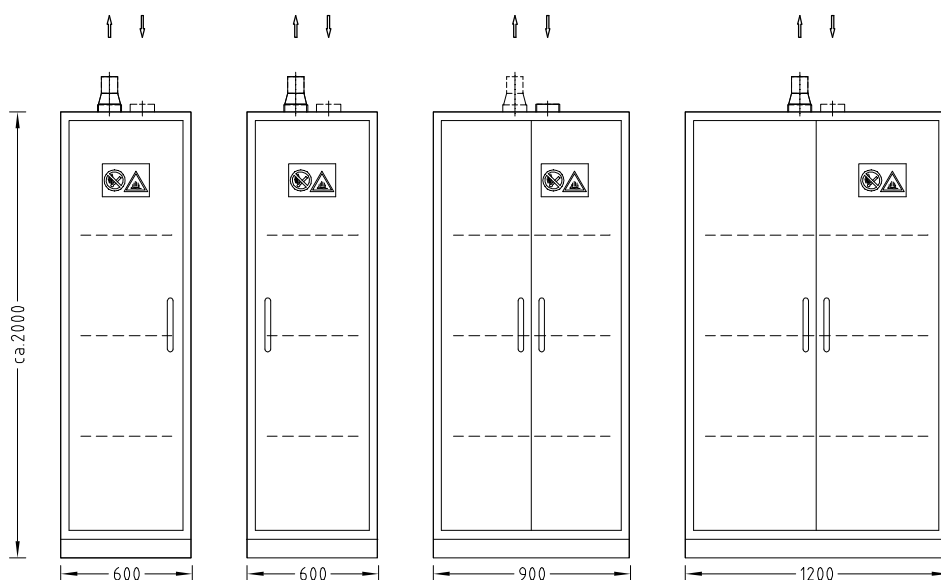
Ventilation data	
Air exchange rate [m <sup>3</sup> /h]	30
Ventilation connection to the ascending duct Ø[mm]	90

## SCALA XPRESS

## FWF 90 safety cabinet for storing flammable liquids

**Intended use**

- For storing limited amounts of flammable liquids
- Not suitable for storing gas cylinders and self-igniting or self-decomposing substances
- Not suitable for storing acids and alkalis

**Design****Variants**

# SCALA XPRESS

## FWF 90 safety cabinet for storing flammable liquids

### Technical data

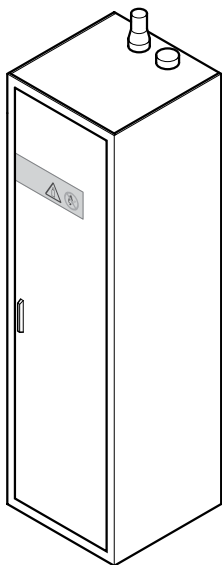
Dimensions			
Width [mm]	600	900	1200
Depth [mm]	Approx. 600		
Overall height [mm]	Approx. 2000		
Height, plinth [mm]	Approx. 80		
Max. weight [kg]	290	360	470
Load bearing capacity			
Basin bed [kg]	Depending on version		
Design characteristics			
Construction	Connection to the permanently active ventilation system Connection to the earth wire with potential equalisation Self-closing through current-independent thermal activation in the case of fire 3 basin beds, height-adjustable Tray with perforated plate insert With closing 4 height-adjustable feet Hinged doors		
Combination possibilities	See variants		
Other versions and configurations	On request		
Regulations and standards	EN 14470-1 TRGS 510		
Ventilation data			
Air exchange rate [m <sup>3</sup> /h]	30		
Ventilation connection Ø [mm]	75		
Material			
Laboratory cabinet	Powder-coated stainless steel on the outside Colour: Pure white RAL 9010		
Ventilation connection	Galvanised steel		

# SCALA XPRESS G 90 gas cylinder cabinet

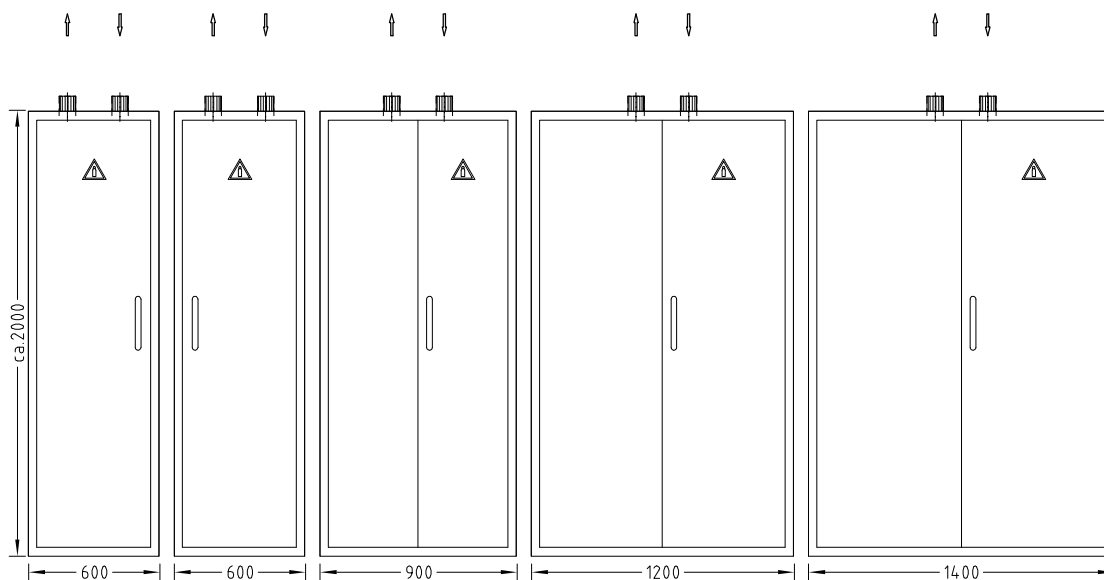
## Intended use

- For storing gas cylinders in buildings
- Not suitable for storing flammable liquids and self-igniting or self-decomposing substances
- Not suitable for storing acids and alkalis

## Design



## Variants



# SCALA XPRESS

## G 90 gas cylinder cabinet

### Technical data

Dimensions	600	900	1200	1400
Width [mm]	600	900	1200	1400
Depth [mm]	Approx. 600			
Overall height [mm]	Approx. 2000			
Max. net weight [kg]	390	530	660	740

Design characteristics	600	900	1200	1400
Construction	Connection to the permanently active ventilation system Mounting rail to take up gas reduction units Roll-in ramp for gas cylinders With closing 4 height-adjustable feet Feed-throughs for pipes and cables in the cabinet ceiling Hinged door(s)			
Max. number of 50 l gas cylinders for cabinet width	1	3	4	4
Other versions and configurations	On request			
Regulations and standards	EN 14470-2			

Ventilation data	600	900	1200	1400
Air exchange rate [m <sup>3</sup> /h] for cabinet width	60	90	120	140
Ventilation connection Ø [mm]	75			

Material	
Laboratory cabinet	Powder-coated stainless steel on the outside Colour: Pure white RAL 9010
Ventilation connection	Galvanised steel



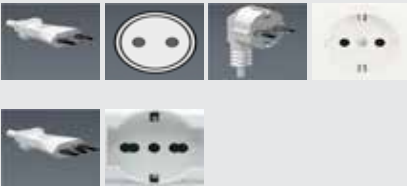








# Storage cupboards

### Mechanical Services

Service	Abbreviation	System (Material)	Dimension of pipe	Execution of branch pipe
<b>Synthetic gases &lt; 2.0 (non combustible)</b>				
Compressed air	CA	PEX	15 x 2.5 mm 22 x 3,0 mm	Uniflex-V (SPX)
Low vacuum (1 - 1000 mbar <sub>abs</sub> )	V	PEX	10 x 1.25 mm	Uniflex-V (SPX)
Nitrogen (up to 2.0)	N <sub>2</sub>	Cu - PressW	15 x 1.0 mm	Uniflex-V (SPX)
Argon (up to 2.0)	Ar	Cu - PressW	15 x 1.0 mm	Uniflex-V (SPX)
Carbon dioxide (up to 2.0)	CO <sub>2</sub>	Cu - PressW	15 x 1.0 mm	Uniflex-V (SPX)
Helium (up to 2.0)	He	Cu - PressG	15 x 1.0 mm	Uniflex-Y (VA-corrugated hose)
<b>Synthetic gases &lt; 2.0 (combustible) + allgases (G260)</b>				
Natural gas (< 0.1 bar)	G	Cu - PressG	15 x 1.0 mm 22 x 1.0 mm	Uniflex-Y (VA-corrugated hose)
Liquefied gas (< 0.1 bar)	LPG	Cu - PressG	15 x 1.0 mm 22 x 1.0 mm	Uniflex-Y (VA-corrugated hose)
<b>Ultra-high purity gases</b>				
Nitrogen (up to 5.5)	N <sub>2</sub>	Cu - free of grease	10 x 1.0 mm	6 x 1.0 Cu - free of grease
Argon (up to 5.5)	Ar	Cu - free of grease	10 x 1.0 mm	6 x 1.0 Cu - free of grease
Helium (up to 5.5)	He	Cu - free of grease	10 x 1.0 mm	6 x 1.0 Cu - free of grease
Oxygen (up to 5.5)	O <sub>2</sub>	Cu - free of grease	10 x 1.0 mm	6 x 1.0 Cu - free of grease
Carbon dioxide (up to 5.5)	CO <sub>2</sub>	Cu - free of grease	10 x 1.0 mm	6 x 1.0 Cu - free of grease
Hydrogen (up to 5.5)	H <sub>2</sub>	Cu - free of grease	10 x 1.0 mm	6 x 1.0 Cu - free of grease
Carbogène (up to 5.5)	O <sub>2</sub> /CO <sub>2</sub>	Cu - free of grease	10 x 1.0 mm	6 x 1.0 Cu - free of grease
Synthetic air (up to 5.5)	SA	Cu - free of grease	10 x 1.0 mm	6 x 1.0 Cu - free of grease
Carbon monoxide (up to 5.5)	CO	Cu - free of grease	10 x 1.0 mm	6 x 1.0 Cu - free of grease
Forming gas (up to 5.5)	H <sub>2</sub> /N <sub>2</sub>	Cu - free of grease	10 x 1.0 mm	6 x 1.0 Cu - free of grease
Nitrous oxide (up to 5.5)	N <sub>2</sub> O	Cu - free of grease	10 x 1.0 mm	6 x 1.0 Cu - free of grease
Acetylene (up to 4.0)	C <sub>2</sub> H <sub>2</sub>	VA - free of grease	6 x 1.0 mm 10 x 1.0 mm	6 x 1.0 VA
Selective gas (up to 5.5)	W1	Cu - free of grease	10 x 1.0 mm	6 x 1.0 Cu - free of grease
<b>Waters</b>				
Cold water	WPC / WNC	Cu - PressW VA - PressW (as an option)	15 x 1.0 mm 22 x 1.0 mm	Uniflex-V (SPX)
Hot water	WPH / WNH	Cu - PressW VA - PressW (as an option)	15 x 1.0 mm (isol.) 22 x 1.0 mm (isol.)	Uniflex-V (SPX)
Desalinated water	WDC	PEX PP (as an option)	15 x 1.0 mm 22 x 1.0 mm	PAw 10 x 1mm / PTFE 10 x 1mm
Cooling water supply/return (closed)	WCF / WCR	Cu - PressW	15 x 1.0 mm (isol.) 22 x 1.0 mm (isol.)	Uniflex-V (SPX) isol.
<b>Other services</b>				
Extract air		HT pipe (PP)	50 mm	PVC
Waste water	Ab	PE-HD (DN56)	56 x 3.0 mm	PP / PE-HD

Electrical services

country	frequence / voltage	IP-Protection	socket type		comment
Mexico, Venezuela & Japan	60Hz / 127/220V	IP20/44	Type B (NEMA 5-15R) 127 V		fuse protection by others
USA	60Hz / 120/208V	IP20/44	Type B (NEMA 5-15R) 120 V		wiring and fuse protection by others
Italy	50Hz / 230/400V	IP55	Type C + Type F + Type L		fuse protection by others
Spain	50Hz / 230/400V	IP20/44	Type F (Schuko)		2-pole fuse protection only, no AC/DC sensitive fuse protections available
Netherland	50Hz / 230/400V	IP20/44	Type F (Schuko)		1+N-fuse protection only, no wiring available, no AC/DC sensitive fuse protections available
England	50Hz / 230V	IP20	Type G		only single phase
France & Belgium	50Hz / 230/400V	IP20/44	Type E		
Switzerland	50Hz / 230/400V	IP20/55	Type J		
Germany	50Hz / 230/400V	IP20/44	Type F (Schuko)		

**!** Info: Please consider the individual comments regarding wiring and fuse protection for your region/country!

All wirings are available as standard or halogen free

## SCALA XPRESS Laboratory Accessories

### Pegboard



#### Intended use

- Frame for drying laboratory glasses
- For fixing above sinks on service module uprights or for wall mounting

#### Technical data

Dimensions	
Pegboard width x height [mm]	600 x 360
18 Draining pegs	
Draining peg [mm]	Ø 12

Design characteristics	
Construction	Cover panel with pegboard and removable drainage sink

#### Ordering information

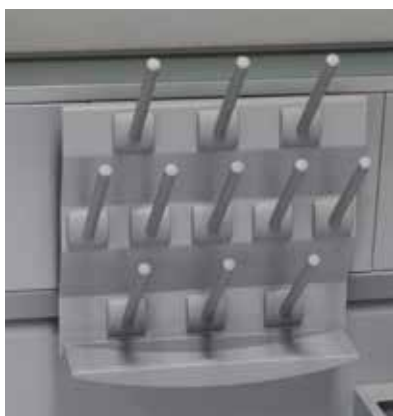
Version	Sales unit	Order no.
Pegboard, 18 draining pegs, diameter 12 mm	1 set	81005862-22

#### Scope of delivery

1 core, 2 pegboards with 18 draining pegs, diameter 12 mm, 2 basins for drips

Version	Sales unit	Order no.
Draining peg Ø 12	1	81006177
Draining peg Ø 9	1	81011766

### Pegboard for service duct



#### Intended use

- Frame for drying laboratory glasses

#### Technical data

Dimensions	
Pegboard Width x height [mm]	300 x 260
Draining peg [mm]	Ø 12 Ø 9

#### Ordering information

Version	Sales unit	Order no.
Pegboard for service duct, 11 draining pegs, diameter 12 mm	1 set	81005861-2

#### Scope of delivery

1 pegboard with 11 draining pegs, diameter 12 mm, 1 basin for drips, 1 fastening

Version	Sales unit	Order no.
Draining peg Ø 12	1	81006177
Draining peg Ø 9	1	81011766

## System step ladder



### Intended use

- For attaching to top-mounted cabinets

### Technical data

Dimensions	
Width [mm]	405
Height [mm]	2330

Load-bearing capacity	
Capacity [kg]	150

### Ordering information

Material	Sales unit	Order no.
Aluminium	1	81006175

## Step ladder



### Technical data

Dimensions	
Width x depth x length [mm]	422 x 70 x 2330

Load-bearing capacity	
Capacity [kg]	150

Design characteristics	
Construction	With 4 steps

### Ordering information

Material	Sales unit	Order no.
Aluminium	1	81006174

## SCALA XPRESS Laboratory Accessories

### Towel dispenser, plastic



#### Intended use

- For use as a combined paper towel dispenser for paper towels (width 240 mm, DU 155 mm) or paper towels with C- or Z-fold, 250 x 230 mm format, to fit Tork, Satino, Quicky and Van Houtum towels

#### Technical data

Dimensions	
Width x depth x height [mm]	195 x 251 x 300

#### Ordering information

Material	Order no.
Plastic	81006405

#### Scope of delivery

1 towel dispenser with key without paper towels

### Towel dispenser, aluminium



#### Intended use

- For paper towels with C- or Z-fold, 250 x 230 mm format, to fit Tork, Satino, Quicky and Van Houtum towels

#### Technical data

Dimensions	
Width x depth x height [mm]	130 x 185 x 275

#### Ordering information

Material	Order no.
Aluminium	81006406

#### Scope of delivery

1 towel dispenser with key without paper towels

### Soap dispenser



#### Intended use

- For liquid soap with refillable 1100 ml container without cartridges, suitable for use with Clivia liquid soap

#### Technical data

Dimensions	
Width x depth x height [mm]	130 x 115 x 220

#### Ordering information

Material	Order no.
Plastic	81006407

#### Scope of delivery

1 soap dispenser, closable without soap

## Boxes for small parts



### Intended use

- For storing small parts

### Technical data

The colours of the boxes for small parts are subject to technical changes.

Dimensions	
Boxes for small parts with mounting rail Width x depth x height [mm]	516 x 203 x 80
Small boxes Width x depth x height [mm]	100 x 160 x 75

Load-bearing capacity	
Capacity [kg]	5

### Ordering information

Material	Order no.
Plastic/aluminium	81005871-2

#### Scope of delivery

- 2 clamping adapters for service duct
- 1 mounting rail with bracket
- 5 boxes for small parts

## Paper towel dispenser



### Intended use

- For holding paper towels

### Technical data

Dimensions	
Width x depth x height [mm]	270 x 146 x 88

### Ordering information

Material	Order no.
Steel	81005867-2

#### Scope of delivery

- 2 clamping adapters for service duct
- 1 paper towel dispenser

## SCALA XPRESS Laboratory Accessories

### Monitor arm



#### Intended use

- For flat screens with VGSA holder 75 x 75 mm / 100 x 100 mm
- For service spines with service duct and fascia panel

#### Technical data

Dimensions	
Width x depth x height [mm]	280 x 390 x 283
Load-bearing capacity	
Capacity [kg]	10
Design characteristics	
Construction	Vertically pivotable (45°) Horizontally rotatable and movable

#### Ordering information

Material	Order no.
Steel	81010387-2

#### Scope of delivery

- 2 clamping adapters for service duct
- 1 monitor cantilever

### Name tag



#### Intended use

- For labelling doors and drawers

#### Technical data

Dimensions	
Width x depth x height [mm]	78 x 3 x 18
Design characteristics	
Construction	3-piece, self-adhesive, with removable paper strip for labelling

#### Ordering information

Material	Sales unit	Order no.
Plastic transparent	1	81008260



## Pipette holder with insertion holes



### Intended use

- To accommodate 11 pipettes

### Technical data

Dimensions	
Width x depth x height [mm]	297 x 175 x 66
Insertion openings [mm]	5 x Ø 26 6 x Ø 20

### Ordering information

Material	Order no.
Steel/plastic (PE)	81005866-2

#### Scope of delivery

- 2 clamping adapters for service duct
- 1 screw-on frame for pipette holder
- 1 plate for pipettes

## Pipette holders with mounting rail



### Intended use

- To accommodate pipettes with suspension hooks

### Technical data

Dimensions	
Width x depth x height [mm]	300 x 41 x 80
Mounting rail [mm]	Ø 21

### Ordering information

Material	Order no.
Steel/plastic	81010132-2

#### Scope of delivery

- 2 clamping adapters for service duct
- 1 screw-on frame for pipette holder
- 1 mounting rail for pipettes

## SCALA XPRESS Laboratory Accessories

### Scaffold points for fume hoods



#### Intended use

- For mounting scaffold rods in the internal workspace
- For scaffold rods  $\varnothing$  13 mm

#### Technical data

Design characteristics	
Construction	3-section bracket
Load-bearing capacity	
Capacity [kg]	5
Material	
Holding nut	PBT
Scaffold point	PBT

#### Ordering information

Name	Sales unit	Order no.
Scaffold point	1	81005039
Clamping nut	1	81005252
Holding nut	1	81005040

### Scaffold rod



#### Intended use

- For fixing to scaffold points in the fume hood or on the service spine

#### Technical data

Dimensions	
Length [mm]	120, 300, 600, 900, 1100, 1200, 1400, 1500, 1700, 2000
Diameter [mm]	13
Material	
Scaffold rod	Stainless steel

#### Ordering information

Length [mm] (use)	Sales unit	Order no.
120	1	81006152
300	1	81006153
600	1	81006154
900	1	81006155
1100 (for horizontal use in the fume hood)	1	81011630
1200	1	81006156
1400 (for horizontal use in the fume hood)	1	81011631
1500	1	81006157
1700 (for horizontal use in the fume hood)	1	81011632
2000 (for horizontal use in the fume hood)	1	81011633

### Emergency cabinet



#### Intended use



- For storing protection and rescue materials (fire extinguisher, first aid case etc.)
- Not permitted for storing flammable liquids, gas cylinders and self-igniting or self-decomposing substances
- Not permitted for storing acids and alkalis

#### Technical data

Dimensions	
Width [mm]	600
Depth [mm]	350 550
Overall height [mm]	2090
Height of plinth [mm]	110

Design characteristics	
Construction	Hinged door with 270° hinges 4 shelves, height-adjustable 4 height-adjustable feet
Equipment	First aid case Fire extinguisher, 5 kg Sand boxes Shovel Fire blankets
Handle	Stainless steel D-handle (standard design) SCALA handle (optional)

#### Ordering information

Version	Width x depth x height [mm]	Sales unit	Order no.
1 hinged door, left 	600 x 350 x 2090	1 set	81002910-3B40022
	600 x 550 x 2090	1 set	81002910-5B40022
1 hinged door, right 	600 x 350 x 2090	1 set	81002911-3B40022
	600 x 550 x 2090	1 set	81002911-5B40022

#### Scope of delivery

- 1 laboratory cabinet with hinged door
- 4 shelves
- 1 first aid case
- 1 fire extinguisher
- 2 sand boxes
- 1 sand shovel
- 2 fire blankets

## SCALA XPRESS Laboratory Accessories

### Lateral pillars



#### Intended use

- For attaching to service module upright
- For glass shelves and OSB boards, and for scaffold points

#### Technical data

Dimensions	
Width [mm]	171
Depth [mm]	3
Height [mm]	382

#### Ordering information

Material	Sales unit	Order no.
Steel	1 set	81002720-322

**Scope of delivery**  
2 lateral pillars

## Rack



### Intended use

- Mobile flexible storage area
- Can be used with the 600 mm deep shelf as a mobile workplace for desk work
- Not suitable for laboratory work where hazardous substances have to be extracted
- Not suitable for storing hazardous substances

### Technical data

Dimensions	
Width [mm] with shelf	900
Depth [mm] with shelf depth 450 mm	600
Height [mm]	1790
Depth of shelf [mm]	450 600

Material	
Supporting construction	Steel profile
Shelf 22 mm	Shelf of OSB board

Load-bearing capacity	
Total [kg]	150
Shelf [kg]	20

Design characteristics	
Heavy load castors	4, 2 of which can be locked (castor and steering axle can be locked)
Shelf	Can be adjusted without tools at 150 mm increments
Integrated cable cabinet	Optional

### Ordering information

Version	Sales unit	Order no.
Rack	1 set	81005369-31022

#### Scope of delivery

1 supporting construction  
1 shelf, depth 600 mm  
3 shelves, depth 450 mm

## SCALA XPRESS Laboratory Accessories

### Drawer insert type B tray set



#### Intended use

- For fully equipping drawers
- For underbench units with a depth of 550 mm

#### Technical data

Design characteristics							
Drawer width [mm]	450	545	600	845	900	1145	1200
Tray configuration	1 x single element with a 140 mm wide trough 1 x single element with a 90 mm wide trough 1 x double element with two troughs, each 80 mm wide						
Colour	White, translucent						
Surface	Grained						

Material	
Drawer insert	PP plastic
Profile rail	Natural aluminium

#### Ordering information

For drawer width 450 mm



Drawer inserts per set	Width x depth x height [mm]	Sales unit	Order no.
2 pieces	350 x 480 x 48	1	81012701

For drawer width 545 mm



Drawer inserts per set	Width x depth x height [mm]	Sales unit	Order no.
3 pieces	445 x 480 x 48	1	81012702

For drawer width 600 mm



Drawer inserts per set	Width x depth x height [mm]	Sales unit	Order no.
4 pieces	500 x 480 x 48	1	81012703
3 pieces	500 x 480 x 48	1	81012704

For drawer width 845 mm



Drawer inserts per set	Width x depth x height [mm]	Sales unit	Order no.
5 pieces	745 x 480 x 48	1	81012705

# SCALA XPRESS

## Laboratory Accessories

### For drawer width 900 mm



Drawer inserts per set	Width x depth x height [mm]	Sales unit	Order no.
5 pieces	800 x 480 x 48	1	81012706
7 pieces	800 x 480 x 48	1	81012707
6 pieces	800 x 480 x 48	1	81012708

### For drawer width 1145 mm



Drawer inserts per set	Width x depth x height [mm]	Sales unit	Order no.
7 pieces	1045 x 480 x 48	1	81012709
8 pieces	1045 x 480 x 48	1	81012710

### For drawer width 1200 mm



Drawer inserts per set	Width x depth x height [mm]	Sales unit	Order no.
7 pieces	1100 x 480 x 48	1	81012711
8 pieces	1100 x 480 x 48	1	81012712
10 pieces	1100 x 480 x 48	1	81012713

#### Scope of delivery per set

- 1 drawer insert type A with profiled rods
- 2 sealing lips

### Separating rod for drawer insert type B tray set



Bowl element	Sales unit	Order no.
80 mm	1	81012700
90 mm	1	81012698
140 mm	1	81012699

### Drawer insert type A



#### Intended use

- For completely or partially equipping drawers
- Variable partitioning of drawers
- For drawers with a depth of 450 mm and 500 mm

#### Technical data

Design characteristics	
Equipment	Nop mat, can be fixed with adhesive pads Drawer inserts can be removed individually
Colour	Light grey

Material	
Drawer insert, nop mat	ABS plastic

#### Ordering information

The dimensions of the nop mat correspond to the external dimensions of the drawer insert type A. The nop mat and adhesive pads are included in the scope of delivery.

#### For drawer depth 450 mm



Drawer insert type A for drawer width 450 mm Width x depth x height [mm]	Drawer inserts Width x depth x height [mm]	Sales unit	Order no.
336 x 432 x 48	2 pcs. à 96 x 288 x 48 3 pcs. à 96 x 144 x 48 3 pcs. à 96 x 96 x 48	1 set	81008343



Drawer insert type A for drawer width 545 mm Width x depth x height [mm]	Drawer inserts Width x depth x height [mm]	Sales unit	Order no.
432 x 432 x 48	3 pcs. à 96 x 240 x 48 3 pcs. à 96 x 192 x 48 3 pcs. à 144 x 144 x 48	1 set	81008344



Drawer insert type A for drawer width 600 mm Width x depth x height [mm]	Drawer inserts Width x depth x height [mm]	Sales unit	Order no.
480 x 432 x 48	5 pcs. à 96 x 240 x 48 5 pcs. à 96 x 144 x 48	1 set	81008345



Drawer insert type A for drawer width 845 mm Width x depth x height [mm]	Drawer inserts Width x depth x height [mm]	Sales unit	Order no.
720 x 432 x 48	3 pcs. à 240 x 336 x 48 3 pcs. à 96 x 240 x 48	1 set	81008346



Drawer insert type A for drawer width 900 mm Width x depth x height [mm]	Drawer inserts Width x depth x height [mm]	Sales unit	Order no.
792 x 432 x 48	8 pcs. à 96 x 144 x 48 6 pcs. à 96 x 288 x 48 3 pcs. à 96 x 192 x 48	1 set	81008347



## For drawer depth 450 mm



Drawer insert type A for drawer width 1145 mm Width x depth x height [mm]	Drawer inserts Width x depth x height [mm]	Sales unit	Order no.
960 x 432 x 48	1 pc. à 240 x 336 x 48 9 pcs. à 144 x 192 x 48 3 pcs. à 144 x 144 x 48 1 pc. à 96 x 240 x 48	1 set	81008348



Drawer insert type A for drawer width 1200 mm Width x depth x height [mm]	Drawer inserts Width x depth x height [mm]	Sales unit	Order no.
1080 x 432 x 48	6 pc. à 144 x 384 x 48 3 pcs. à 96 x 288 x 48 3 pcs. à 96 x 144 x 48	1 set	81008349

## Scope of delivery

1 drawer insert type A  
1 nop mat (dimensions correspond to the drawer insert type A)  
4 adhesive pads

## For drawer depth 500 mm



Drawer insert type A for drawer width 450 mm Width x depth x height [mm]	Drawer inserts Width x depth x height [mm]	Sales unit	Order no.
336 x 480 x 48	1 pc. à 144 x 192 x 48 3 pcs. à 96 x 192 x 48 3 pcs. à 96 x 144 x 48 4 pcs. à 96 x 96 x 48	1 set	81008350



Drawer insert type A for drawer width 545 mm Width x depth x height [mm]	Drawer inserts Width x depth x height [mm]	Sales unit	Order no.
432 x 480 x 48	1 pc. à 96 x 336 x 48 2 pcs. à 96 x 288 x 48 6 pcs. à 96 x 144 x 48 4 pcs. à 96 x 96 x 48	1 set	81008351



Drawer insert type A for drawer width 600 mm Width x depth x height [mm]	Drawer inserts Width x depth x height [mm]	Sales unit	Order no.
480 x 480 x 48	2 pcs. à 96 x 288 x 48 2 pcs. à 96 x 240 x 48 4 pcs. à 96 x 192 x 48 4 pcs. à 96 x 144 x 48	1 set	81008352



Drawer insert type A for drawer width 600 mm Width x depth x height [mm]	Drawer inserts Width x depth x height [mm]	Sales unit	Order no.
480 x 480 x 24/48	1 pc. à 240 x 336 x 48 2 pcs. à 144 x 192 x 48 1 pc. à 144 x 144 x 48 1 pc. à 144 x 192 x 24 (drawer insert with 8 partitions) 1 pc. à 96 x 192 x 24 (drawer insert with 3 partitions) 2 pcs. à 96 x 144 x 48	1 set	81006027



Drawer insert type A for drawer width 845 mm Width x depth x height [mm]	Drawer inserts Width x depth x height [mm]	Sales unit	Order no.
720 x 480 x 48	5 pcs. à 96 x 336 x 48 5 pcs. à 96 x 240 x 48 5 pcs. à 96 x 96 x 48	1 set	81008353

## SCALA XPRESS Laboratory Accessories

For drawer depth 500 mm



Drawer insert type A for drawer width 900 mm Width x depth x height [mm]	Drawer inserts Width x depth x height [mm]	Sales unit	Order no.
792 x 480 x 48	2 pcs. à 144 x 384 x 48 4 pcs. à 144 x 192 x 48 4 pcs. à 144 x 144 x 48 2 pcs. à 96 x 192 x 48 1 pc. à 96 x 288 x 48	1 set	81008354



Drawer insert type A for drawer width 1145 mm Width x depth x height [mm]	Drawer inserts Width x depth x height [mm]	Sales unit	Order no.
960 x 480 x 48	1 pc. à 240 x 336 x 48 1 pc. à 144 x 384 x 48 5 pcs. à 144 x 144 x 48 8 pcs. à 144 x 192 x 48	1 set	81008355



Drawer insert type A for drawer width 1200 mm Width x depth x height [mm]	Drawer inserts Width x depth x height [mm]	Sales unit	Order no.
1080 x 480 x 48	2 pcs. à 240 x 336 x 48 2 pcs. à 144 x 384 x 48 2 pcs. à 144 x 192 x 48 3 pcs. à 96 x 336 x 48 2 pcs. à 96 x 240 x 48 2 pcs. à 96 x 192 x 48	1 set	81008356

#### Scope of delivery


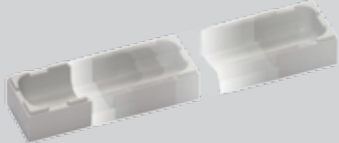
- 1 drawer insert type A
- 1 nop mat (dimensions correspond to the drawer insert type A)
- 4 adhesive pads

## Supplementary drawer inserts type A

Design characteristics	Drawer insert Width x depth x height [mm]	Sales unit	Order no.
	96 x 192 x 24 (3 drawer inserts)	1	81007191
	144 x 192 x 24 (8 drawer inserts)	1	81007192
	96 x 96 x 48	1	80009302
	96 x 144 x 48	1	80009303
	96 x 192 x 48	1	81005193
	96 x 240 x 48	1	81007185
	96 x 288 x 48	1	80009304
	96 x 336 x 48	1	81007186
	144 x 144 x 48	1	81007187
	144 x 192 x 48	1	81007188
	144 x 384 x 48	1	81007189

# SCALA XPRESS Laboratory Accessories


## Supplementary drawer inserts type A

Design characteristics	Drawer insert Width x depth x height [mm]	Sales unit	Order no.
	240 x 336 x 48	1	81007190
	73 x 48 x 24 Depth infinitely adjustable	1	81007194

### Scope of delivery

5 drawer inserts (drawer insert with adjustable depth: 4 drawer inserts)

## Nop mat

Design characteristics	Width x depth x height [mm]	Sales unit	Order no.
	480 x 480 x 3 (can be cut every 24 mm)	1	81005195

### Scope of delivery

5 nop mats


## Location pins

Design characteristics	Dimensions [mm]	Sales unit	Order no.
	Height 30, diameter 24	10	81007193

### Scope of delivery

10 location pins  
20 screws

## Assembly set

Design characteristics	Sales unit	Order no.
	1	81010042

### Scope of delivery

4 adhesive pads  
2 cutting aids  
1 universal knife  
1 assembly instructions

## Bimos chair, Flex 2 9409 model



### Properties

- Adjustable seat height between 510-780 mm
- 360° revolving seat
- Ergonomic and comfortable backrest
- Extremely good grip, thanks to slip-resistant 'wave' seat finish
- PU foam, black, washable, resilient and resistant to disinfection agents
- Stable, topple-proof 5-star plastic base, with glides

### Ordering information

Designation	Order no.
Bimos chair, Flex 2 9409 model	80013951

## Rinsing units

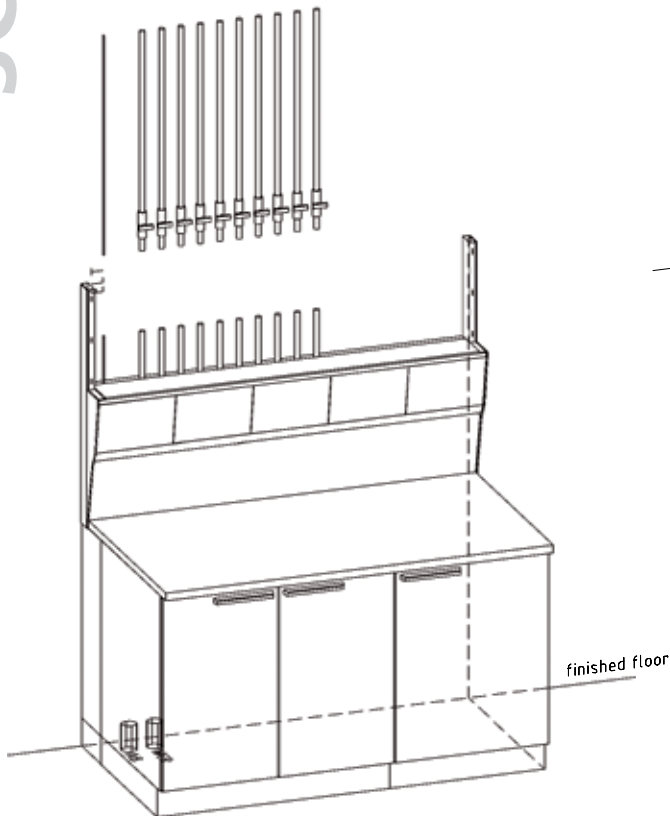
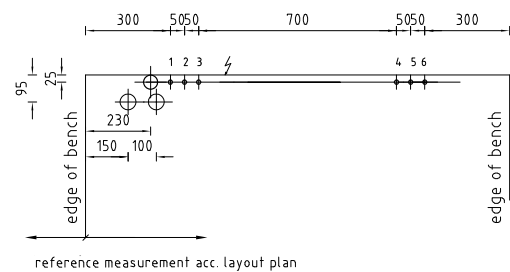
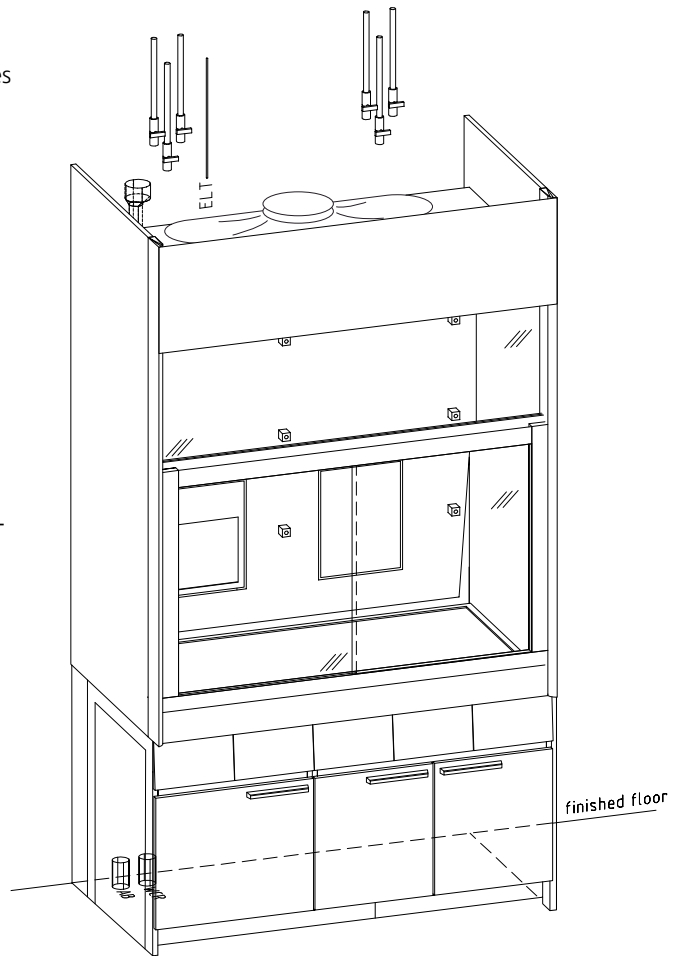
Designation	Model	Material	Dimensions W x H x D [mm]	Order no.
Rinsing unit	PG 8583	Stainless steel panelling	600 x 600 x 820	81014242
Rinsing unit	PG 8583 CD CM	Stainless steel panelling	900 x 600 x 820	81014775
Purifier	PG 8595 D AE	Stainless steel	300 x 600 x 820 excluding cartridge	81014243

**!** Dishwashers only possible in Germany/Austria!

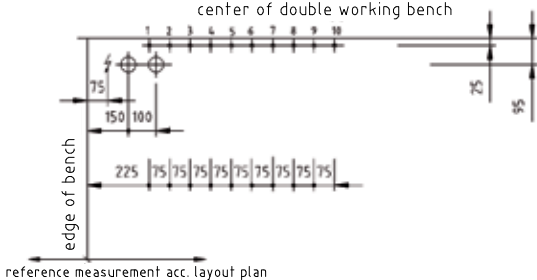
SCALA XPRESS

Installation interfaces mechanical and electrical services

- For water and technical gases, shut-off valves with 1/2" internal threads must be provided on-site according to DIN EN 10226-2
- For pure gases, shut-off valves with 10 mm clamp ring connections must be provided on-site
- For waste water connections, a 56 mm plug sleeve must be provided on-site.
  
- Electrical supply pipe in acc. with DIN VDE 0100-430
- Type of cable/pipe with on-site fusing upon agreement with Waldner
  
- Waldner will indicate the transfer points for the on-site trades for each project in the corresponding positional drawings



reference axis = finished wall (wall working bench)  
center of double working bench



**!** Information: For drawings please consider interfaces!





## Pre-conditions

- ! Exclusively items and products in this catalogue are valid for XPRESS
- ! Project volume is limited to 250.000 € and 600.000 €
- ! Approved final drawings to be submitted with purchase order

Please e-mail any questions or suggestions to the following address:  
[xpress@waldner.de](mailto:xpress@waldner.de)