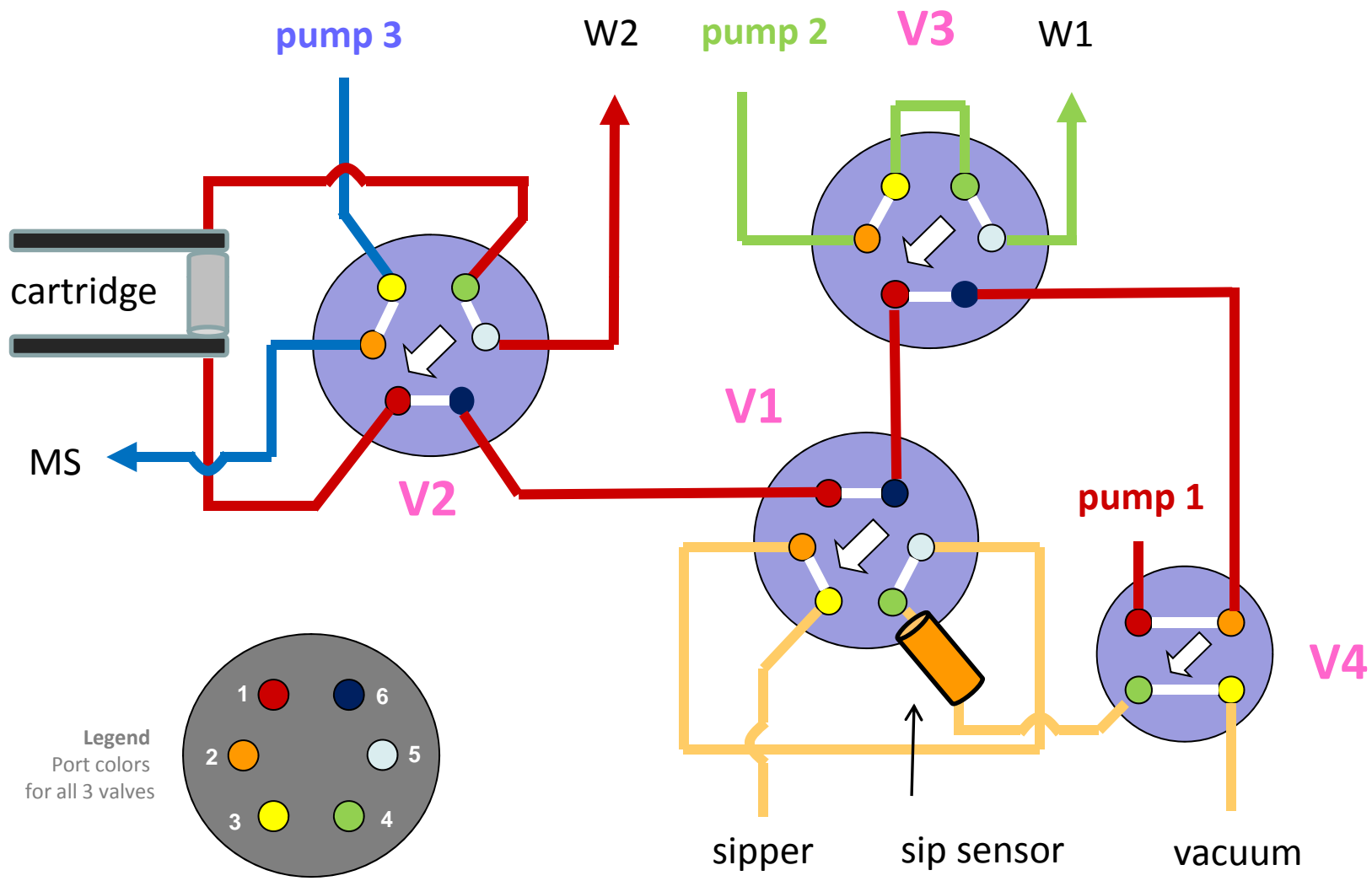
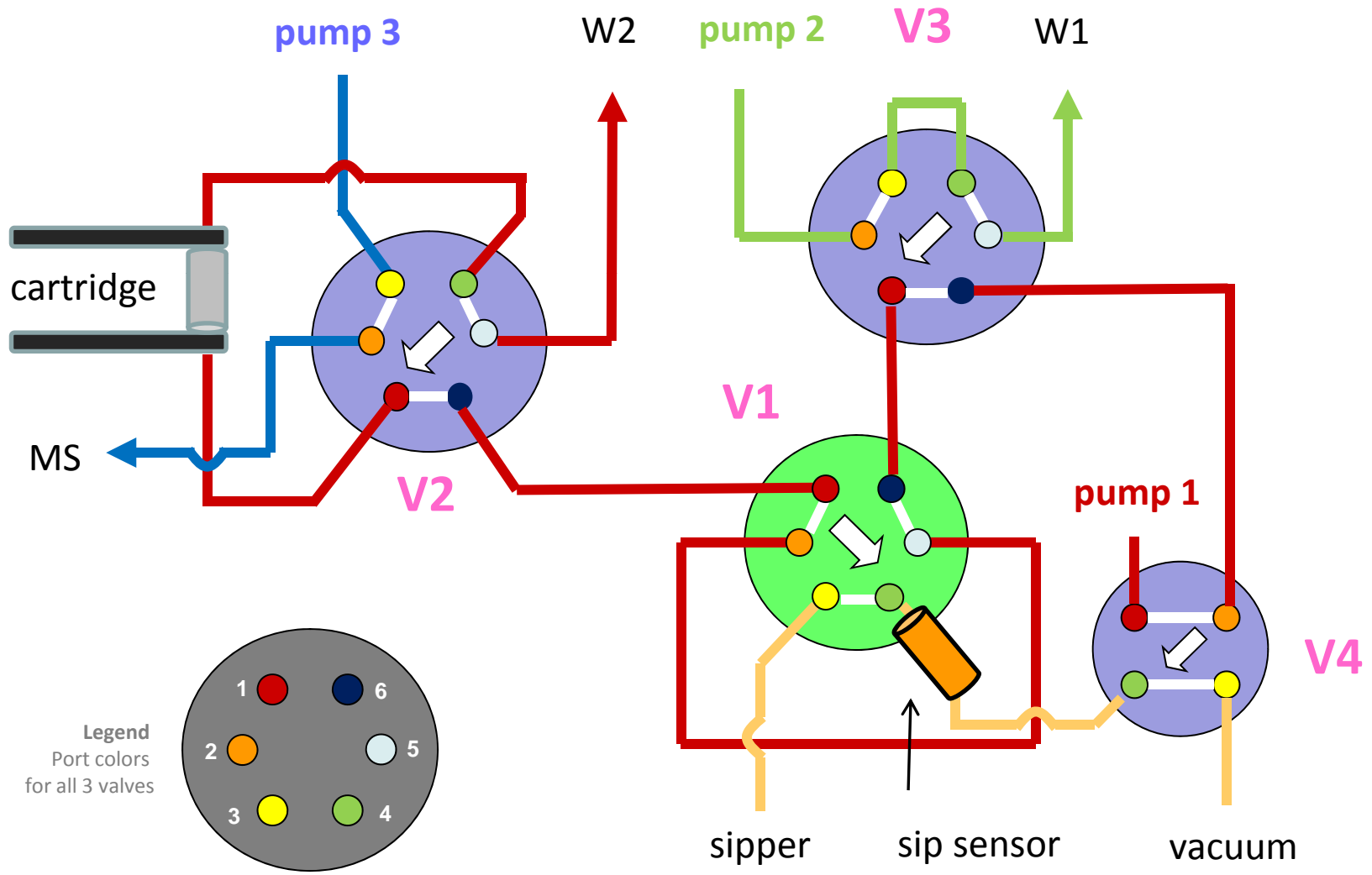


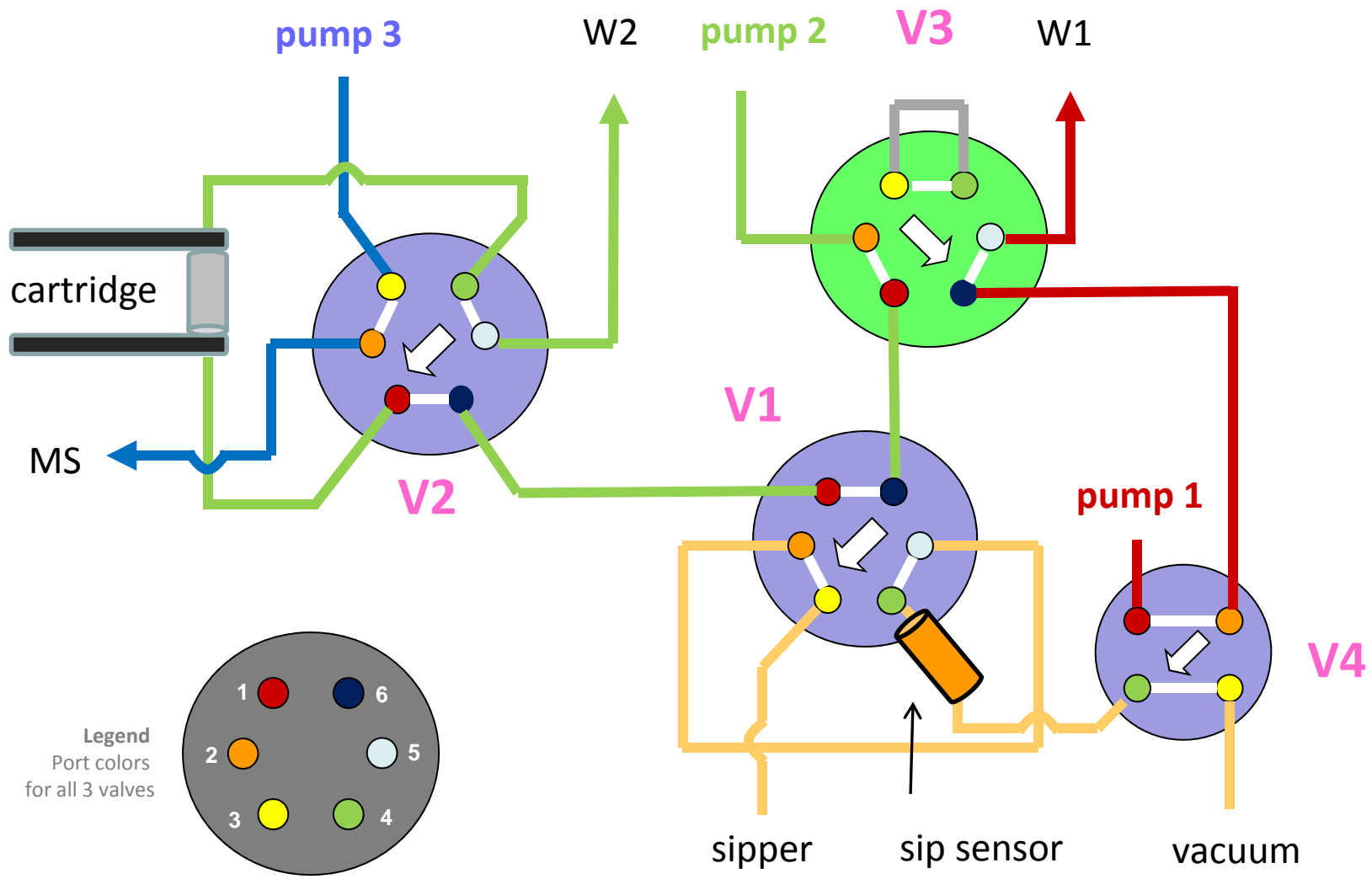
# State # 1: Aspirate



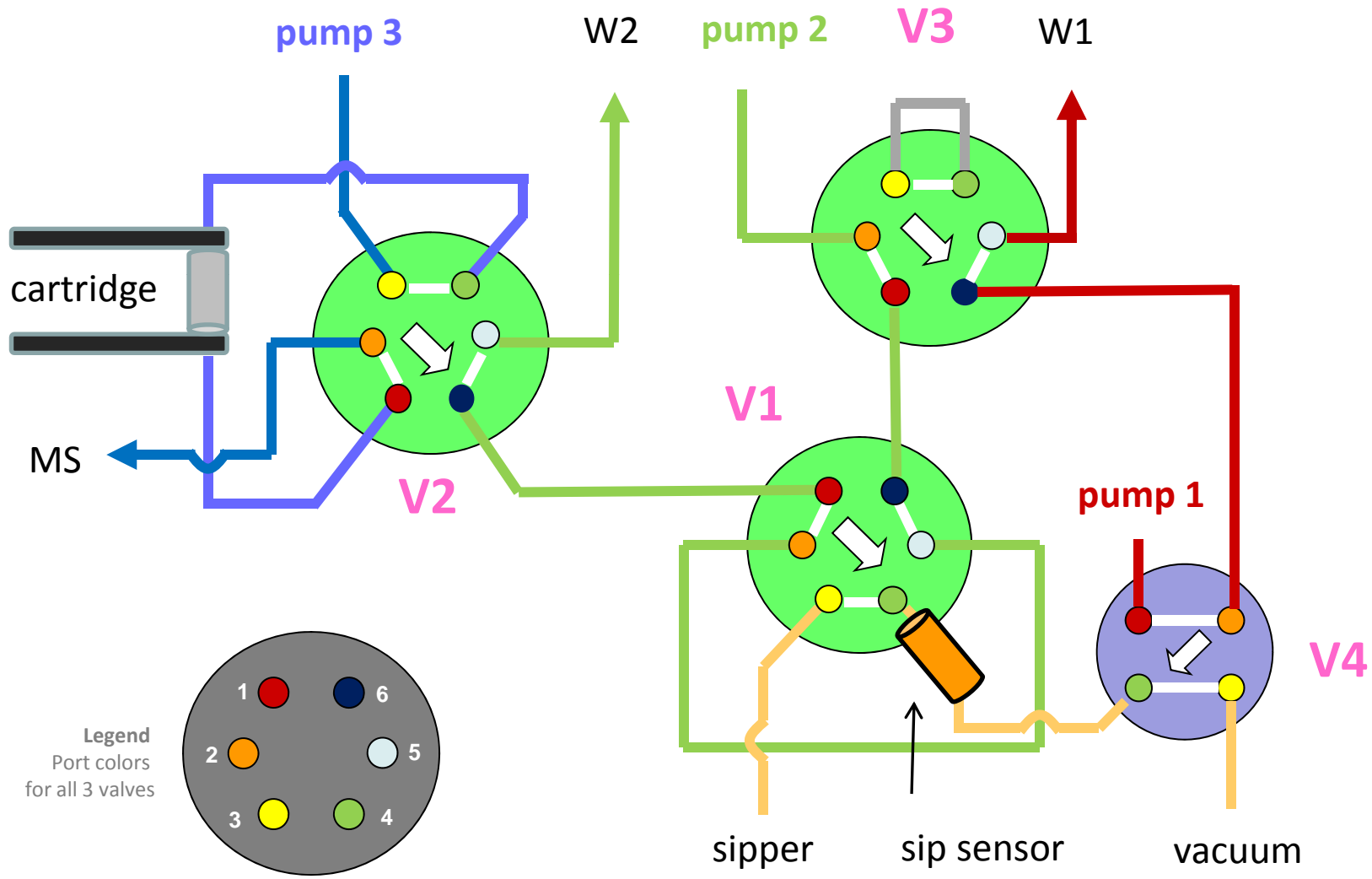
# State # 2: Load / Wash



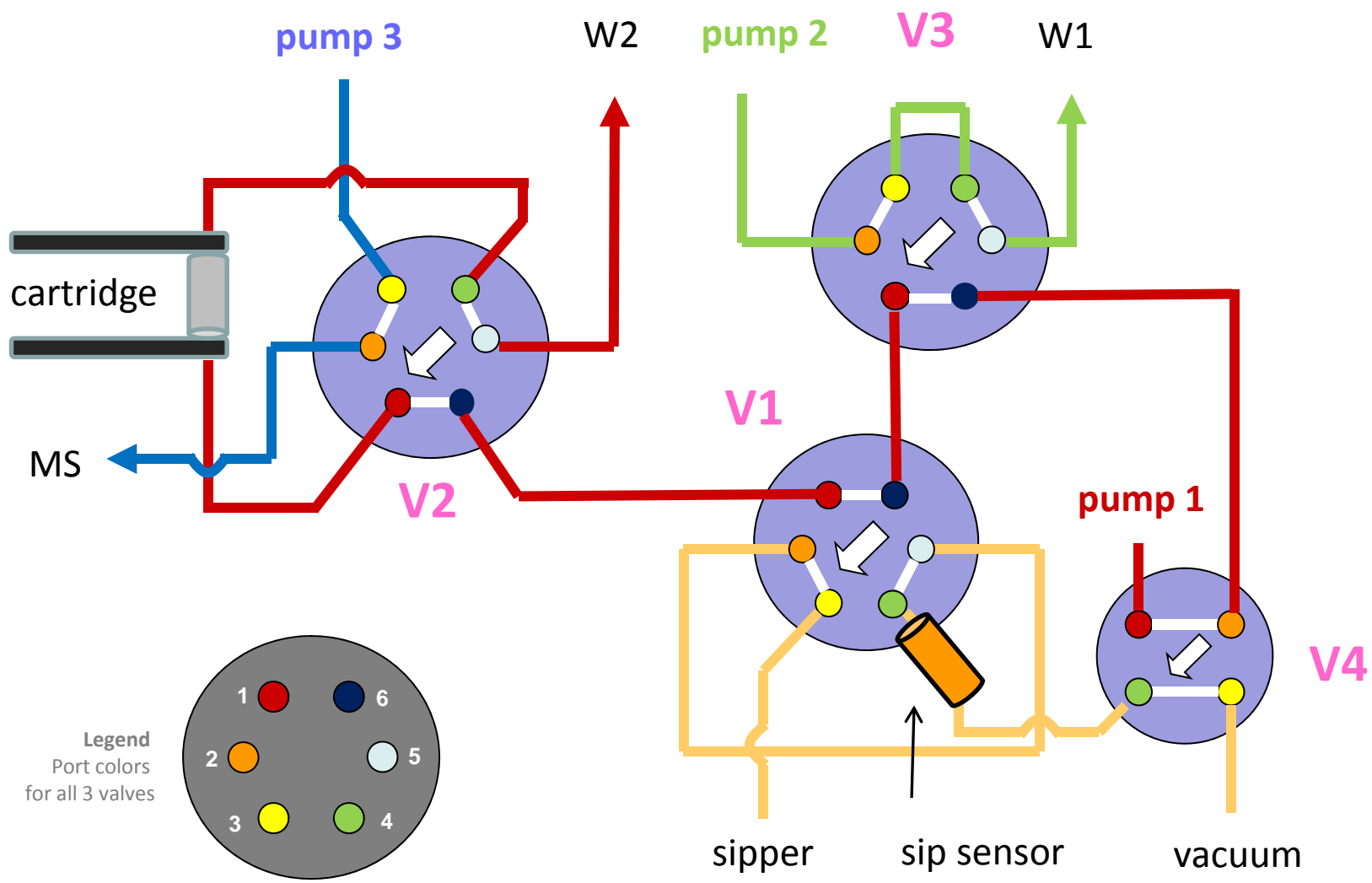
# State # 3: Extra Wash



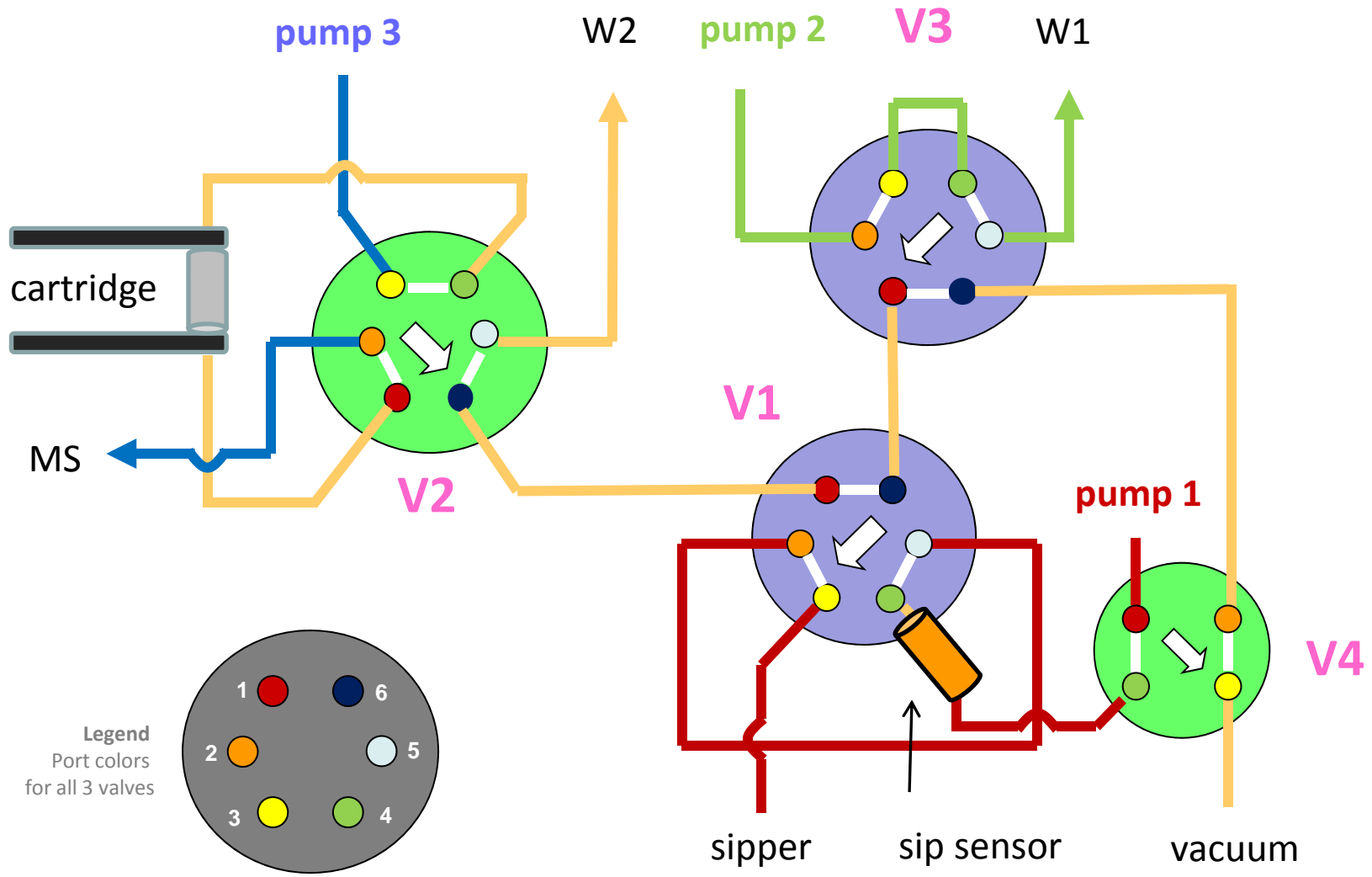
# State # 4: Elute



# State # 5: Re-equilibrate



# Flush the sipper tube



# Physical colors of the tubing

