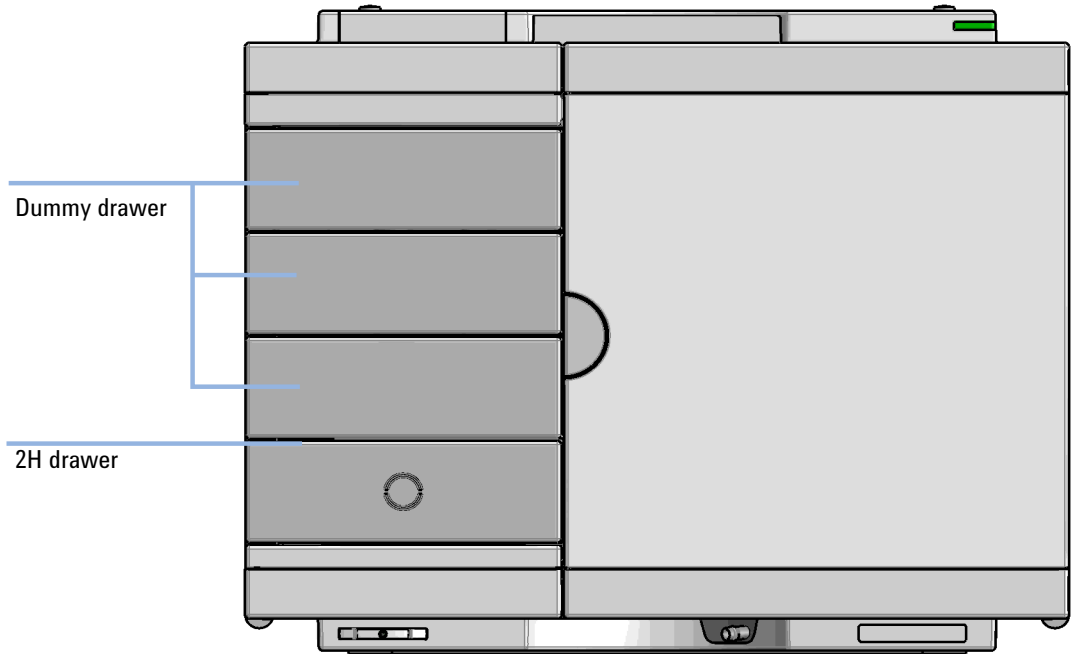


# Installation of Hotel Drawers

## Technical Note

### General Information

The different drawer upgrade kits can be installed in any Agilent InfinityLab LC Series Multisampler. With the different drawer kits you can configure your Sample Hotel (Delivery Status, see [Figure 1](#) on page 1) individually.



**Figure 1** Delivery status of the multisampler

## Safety Information

### WARNING

#### Heart pacemakers

**Magnets could affect the functioning of pacemakers and implanted heart defibrillators.**

**A pacemaker could switch into test mode and cause illness.**

**A heart defibrillator may stop working.**

→ Bearers of heart pacemakers or implanted defibrillators must stay off at least 55 mm from the magnets.

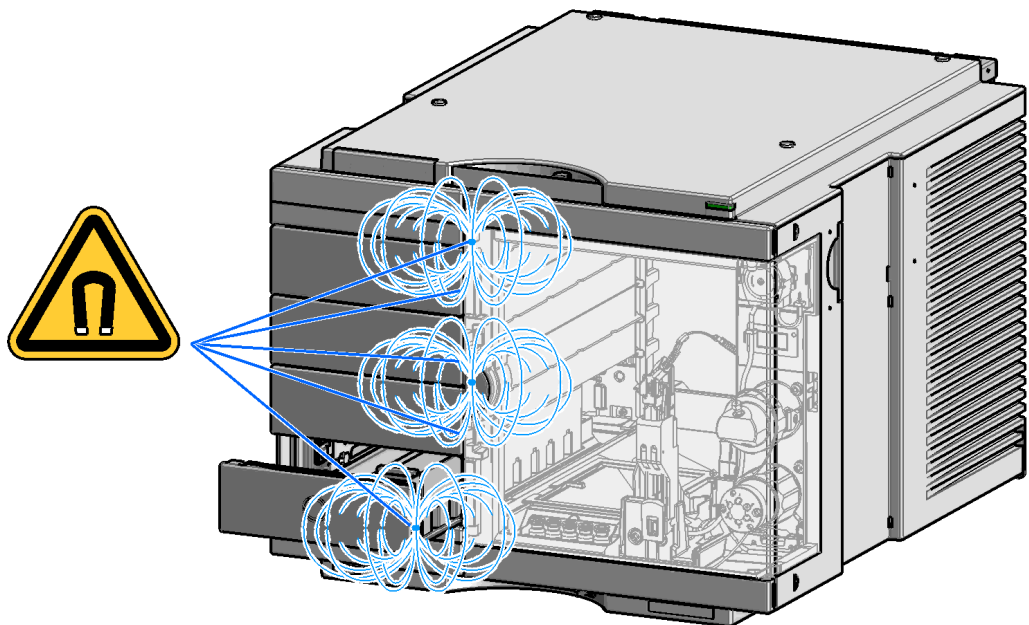
### CAUTION

#### Magnetic fields

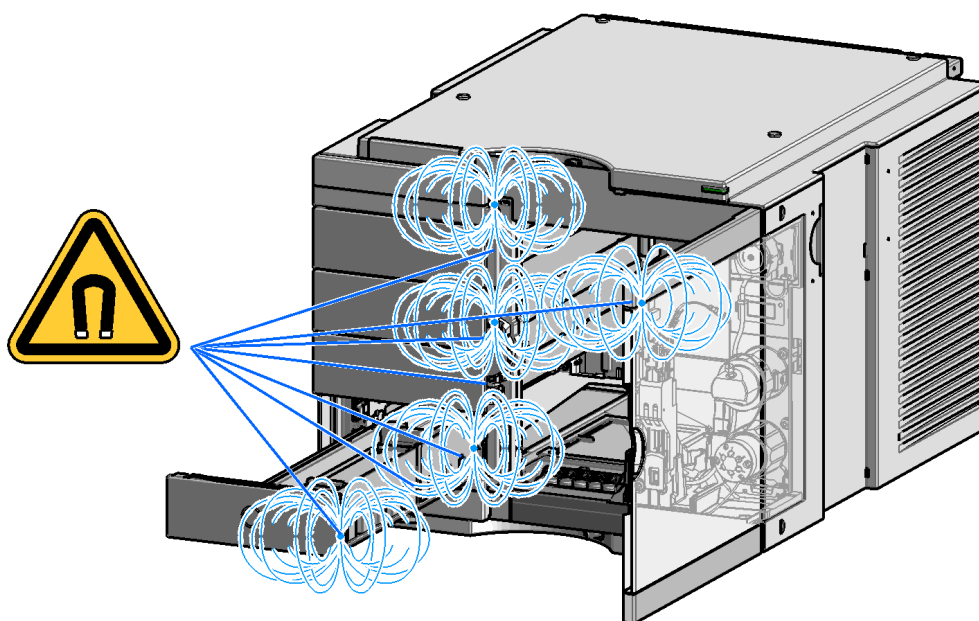
Magnets produce a far-reaching, strong magnetic field.

You can damage for example televisions, laptops, computer harddisks, credit cards, magnetic cards may be damaged as well.

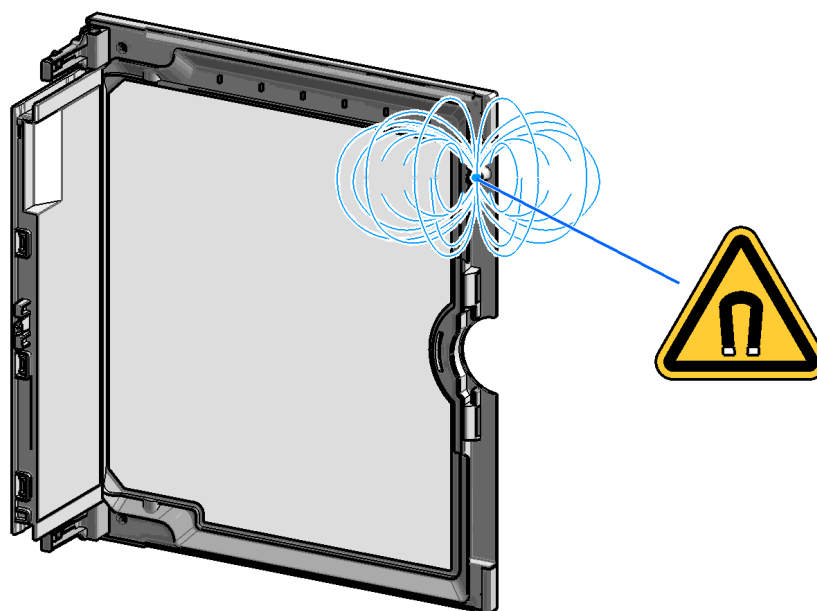
→ Keep magnets at least 25 mm away from devices and objects that could be damaged by strong magnetic fields.



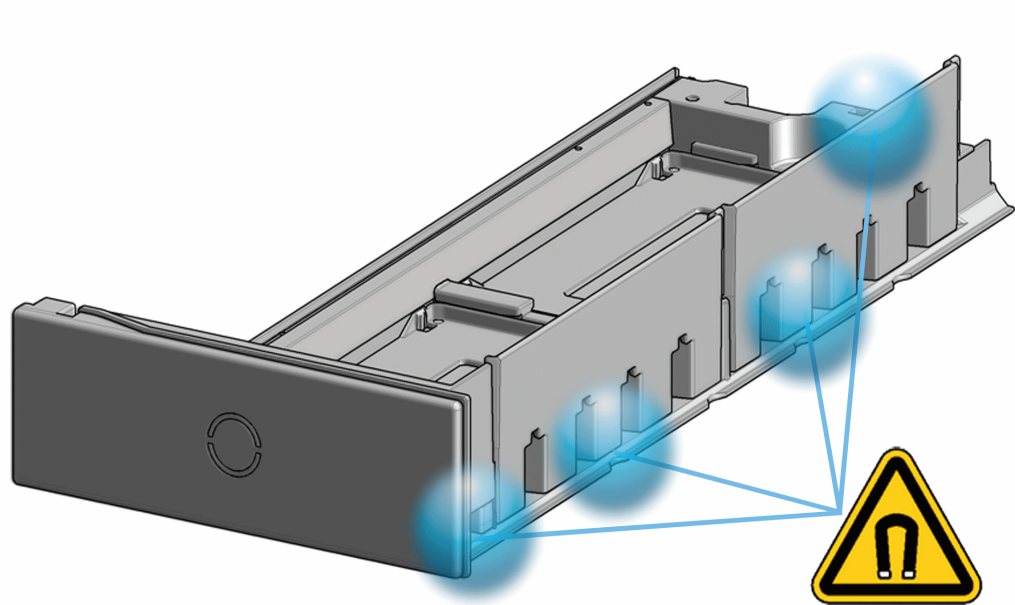
**Figure 2** Position of magnets at the multisampler (door closed)



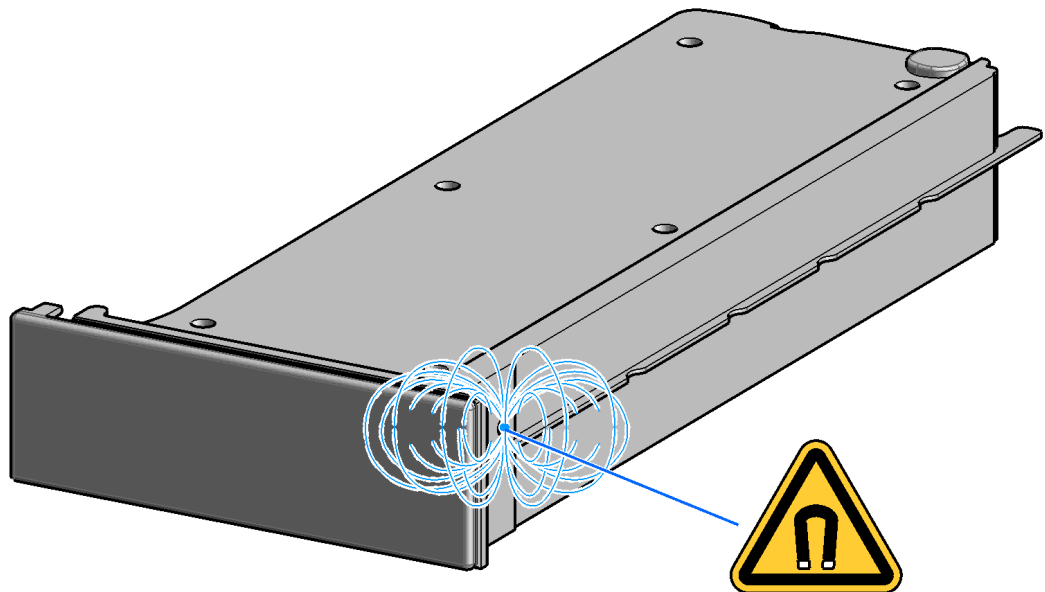
**Figure 3** Position of magnets at the multisampler (open doors and drawers)



**Figure 4** Position of the magnet at the door



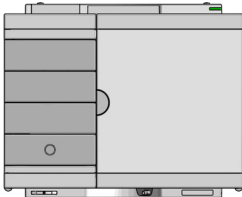
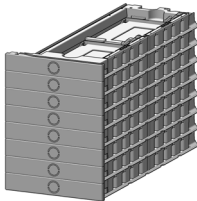
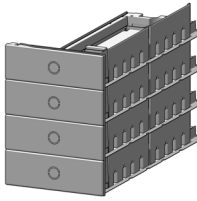
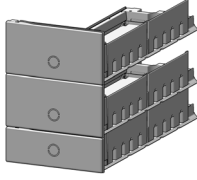
**Figure 5** Position of the magnets at the drawer



**Figure 6** Position of the magnet at the dummy drawer

## Optional Configurations

**Table 1** Overview on optional configurations (examples for uniform types)

	1H	2H	3H	Dummy-Drawer
 <p><b>Delivery Status</b></p>	-	G7167-60020 1x	-	G4267-60024 3x
 <p><b>Up to 8 single height drawers</b> 16 positions Shallow wellplates and MTP Max Sample capacity 1536 / 6144 samples (96 Shallow Wellplates / 384 MTP)</p>	G7167-60021 8x	-	-	-
 <p><b>Up to 4 Dual Height drawers</b> 8 positions Vials (2 mL), deep well plates, MTP, Eppendorf Max Sample capacity 432 / 3072 samples (2 mL Vials/ 384 MTP)</p>	-	G7167-60020 4x	-	-
 <p><b>Up to 2 Drawers Triple Height</b> 4 positions (2H or 2*1H option left over) Vials (6 ml), deep well plates, MTP, Eppendorf Max Sample capacity 60 / 216/ 1536 samples (6 mL Vials/ 2 mL Vials/ 384 MTP)</p>	-	G7167-60020 1x	G7167-60022 2x	-

### NOTE

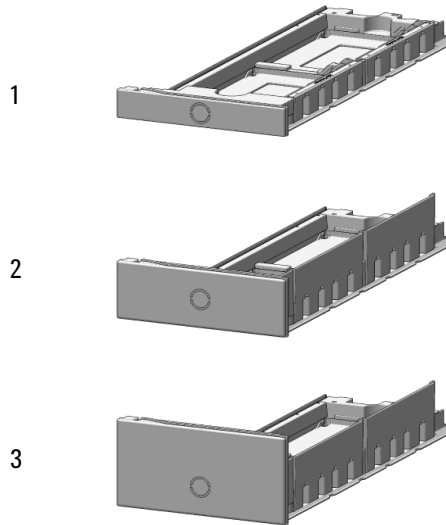
Mixed configurations are possible (for example 1x3H- with 1x2H- and 3x1H-drawer).

All positions in the Sample Hotel must be filled either with dummies or drawers. The drawers must be installed from bottom to top.

## Delivery Checklist

Ensure all parts and materials have been delivered with your module. The delivery checklist is shown below.

Please report any missing or damaged parts to your local Agilent Technologies sales and service office.



**Figure 7** Hotel drawer

### G7167-60021

p/n	Description
G7167-60021	Drawer 1H Only orderable as a package of two
G7167-90020	Instructions

### G7167-60020

p/n	Description
G7167-60020	Drawer 2H
G7167-90020	Instructions

### G7167-60022

p/n	Description
G7167-60022	Drawer 3H Only orderable as a package of two
G7167-90020	Instructions

## Installing the Drawers (Upgrade Drawer Kit)

<b>Tools required</b>	<b>Description</b>	
	Screwdriver	
<b>Parts required</b>	<b>p/n</b>	<b>Description</b>
	G7167-60020	Drawer 2H
	G7167-60021	Drawer 1H
	G7167-60022	Drawer 3H

### NOTE

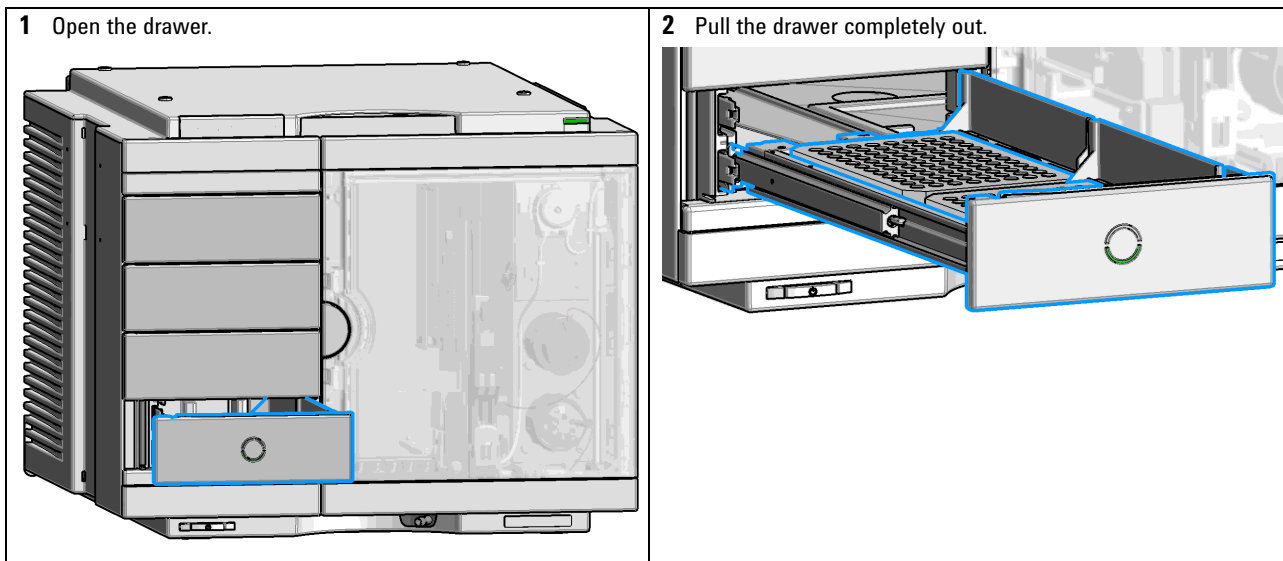
Before you start the new drawer installation you have to remove the lower drawer (2H drawer = default configuration) from the Sample Hotel.

### NOTE

For best cooling performance the 2H drawer must be installed in the lowest position.

### NOTE

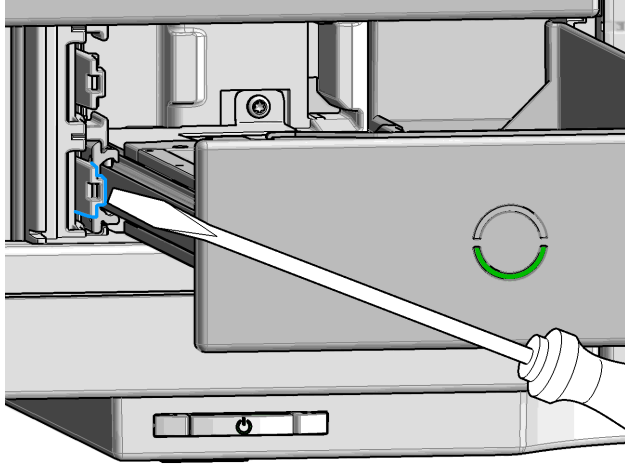
More detailed video information is available on the Agilent Information Center.



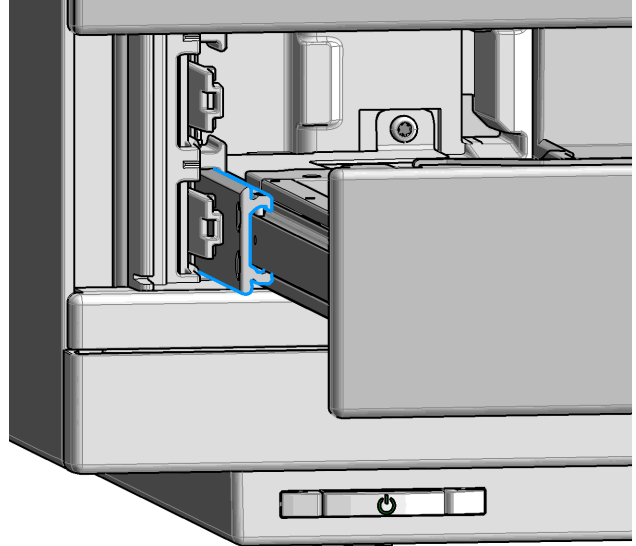
## Installing the Drawers (Upgrade Drawer Kit)

### Safety Information

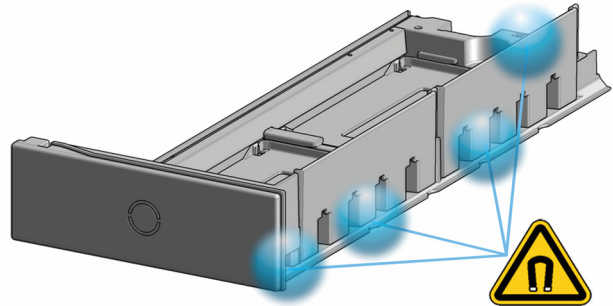
- 3** Unlatch the drawer: Use a screwdriver to press the clamping lever lightly to the left.



- 4** Remove the drawer from the rail guide.

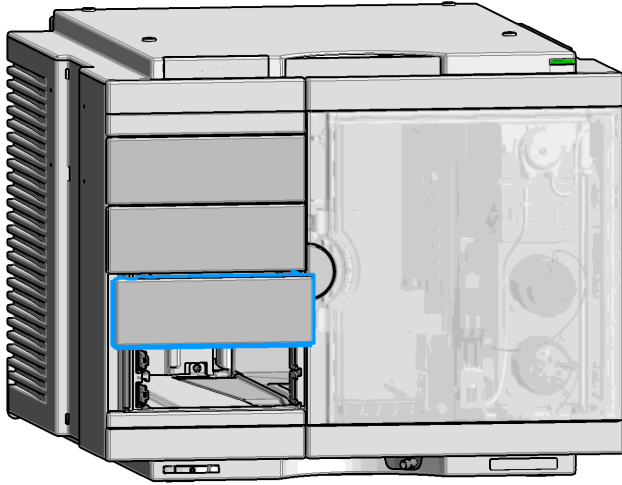


The drawer is now out of the hotel.





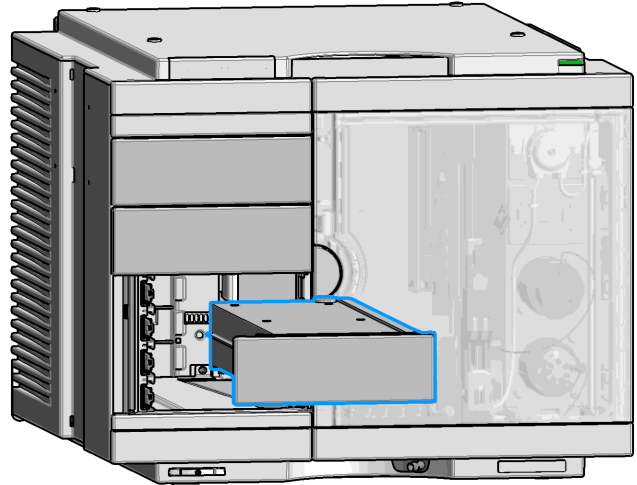
**5** Grab in the recession below the dummy drawer front panel (1.) and lift the left side (2.).



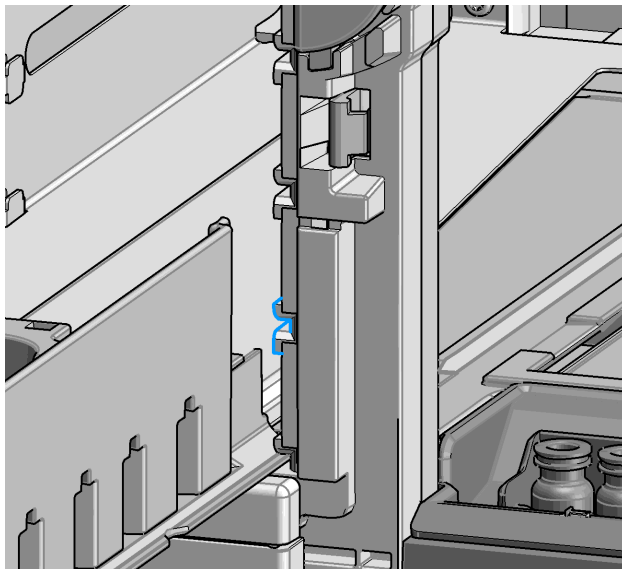
**6** Remove the dummy drawer.

**NOTE**

At this stage remove all other dummies that will be replaced by hotel drawers.



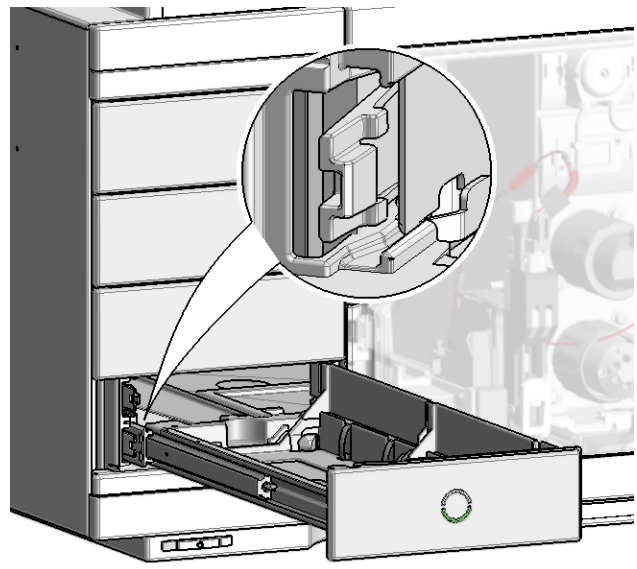
**7** Place the new drawer horizontally into the sample hotel. Check that the drawer matches the middle bracket of the sample hotel.



**8** Push until the complete drawer locks in place.

**NOTE**

Take care that the clamping lever locks.



**NOTE**

Always fill sample hotel completely (no empty drawer slots). Otherwise the drawers can't be configured in the software.

**9** Configure the hotel drawers in the controller software (see the Online Help of the software for details).

## Configuration of the Hotel Drawers in the Control Software

The configuration of your drawers is necessary to detect the new drawer configuration for your CDS system. When a wrong configuration is detected there will be a mismatch in your CDS system and you are not able to use the new drawers. The new drawer configuration is active and stored after you have done the Drawer Configuration.

### Configure the Hotel Drawers in Lab Advisor

**Software required**

Lab Advisor (B.02.05 or above)

**Preparations**

- Stop the acquisition run.
- Remove the sample containers (trays and well plates) from workspace.
- Complete the drawer installation.
- Remove the sample containers (trays and well plates) from the drawers.
- Verify that all sample trays (palettes) are installed in their drawers.
- All open drawers and dummies have to be closed and installed properly.

- 1 Start the Lab Advisor Software.
- 2 Connect the instrument and select **Instrument Control** in the system screen.
- 3 Switch In the **Configuration** menu of the Multisampler. Select **Detect Drawers** in the **Hotel Configuration**.



- 4 Follow the Detect Hotel Configuration screen to detect the physically available drawers.

**NOTE**

For correct detection, it is necessary to remove all sample containers (for example 54 vial tray or well plates).

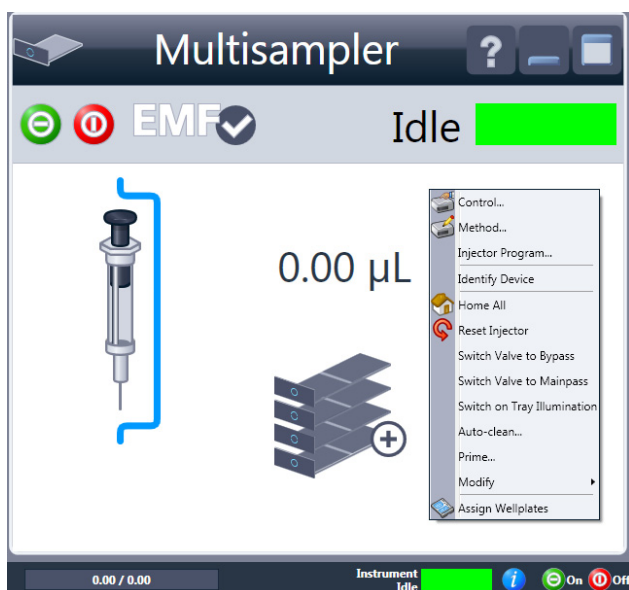
- 5 System is ready after the robot has done Auto Referencing.

## Configure the Hotel Drawers in OpenLab CDS ChemStation Edition

**Software required** OpenLAB (A.02.01 or above)  
LC driver (A.02.10 or above)

- Preparations**
- Stop the acquisition run.
  - Remove the sample containers (trays and well plates) from workspace.
  - Complete the drawer installation.
  - Remove the sample containers (trays and well plates) from the drawers.
  - Verify that all sample trays (palettes) are installed in their drawers.
  - All open drawers and dummies have to be closed and installed properly.

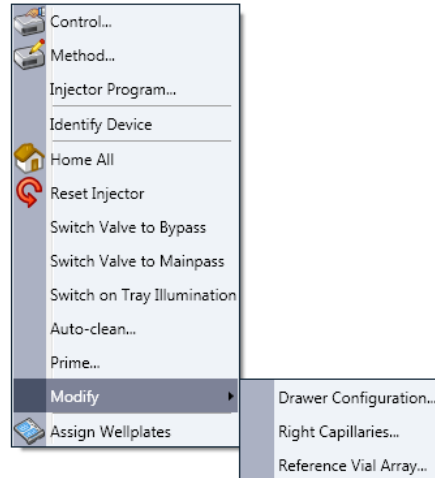
- 1 Start OpenLAB CDS ChemStation Edition.
- 2 Right-click on the **Multisampler** GUI.



**3** Select **Modify > Drawer Configuration** in the GUI screen.

**NOTE**

For correct detection, it is necessary to remove all sample containers (for example 54 vial tray or well plates).



**4** Follow the Setup or Change configuration screen.

**5** System is ready after the robot has done Auto Referencing.

