

• **Agilent 1290 Infinity Autosampler**

Removing and installing loop cartridge

“Removing the Loop cartridge” on page 2

“Installing the Loop cartridge” on page 5



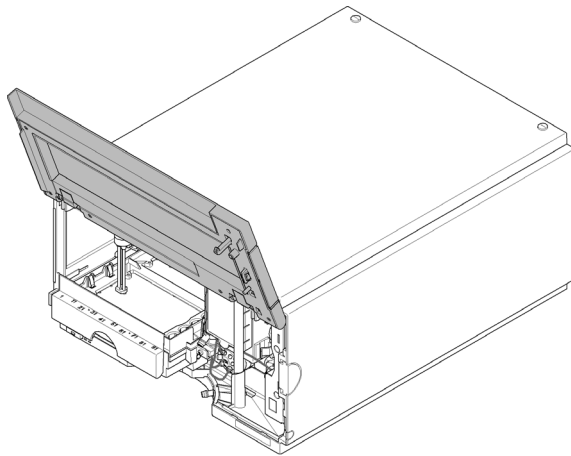
Removing the Loop cartridge

When When installing new loop cartridge.

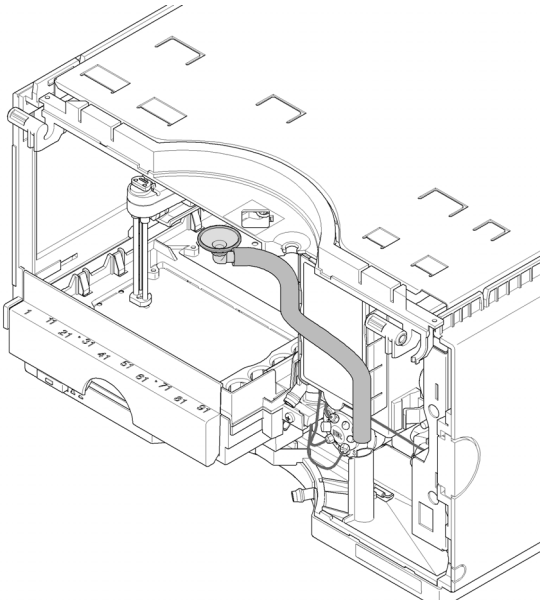
Tools required 8710-0510 ¼ inch wrench
Pozidrive screwdriver #1

1 In the user interface start the maintenance mode and select **Change Loop capillary** function. In the Agilent Lab Advisor software the **Change Loop capillary** function can be found in the **Tools** section.

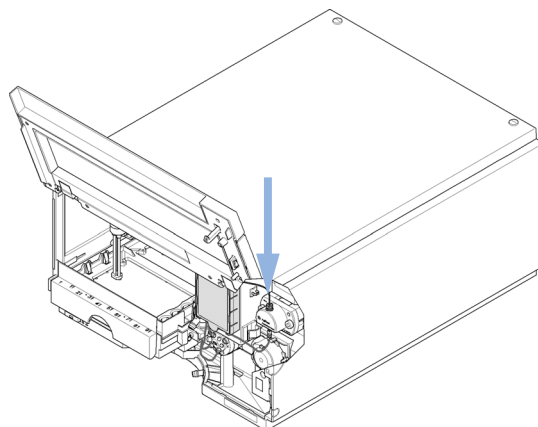
2 Open the front door.



3 Remove leak tubing.

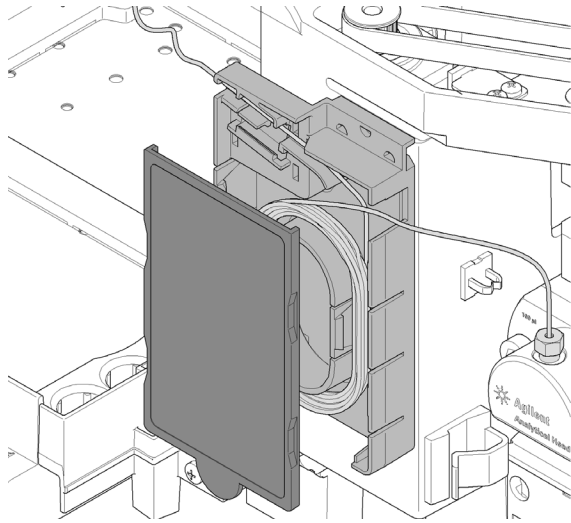


4 Unscrew loop capillary.

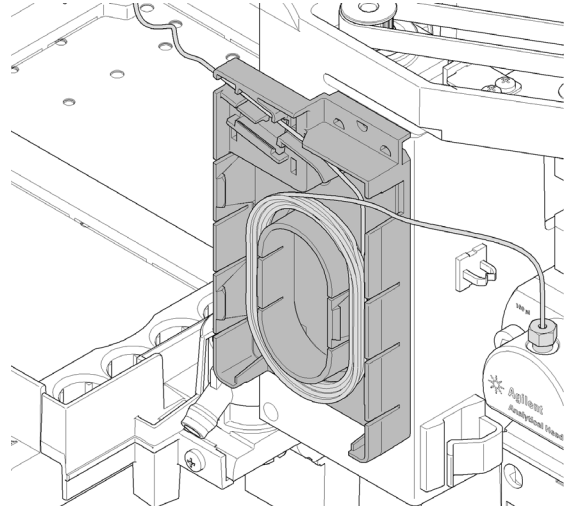


Agilent 1290 Infinity Autosampler

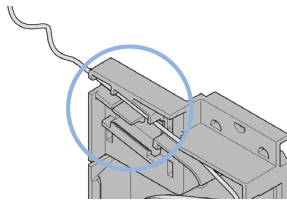
5 Open Loop holder cover



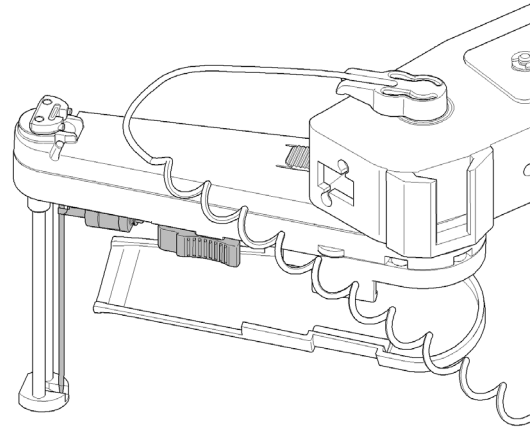
6 Unwind Loop capillary from Loop holder



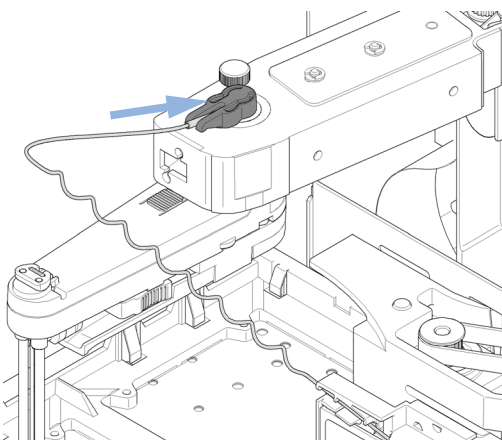
7 Release Loop tag from Loop holder.



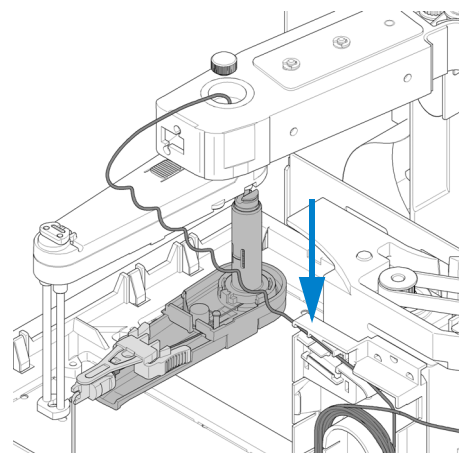
8 Open the Leak guide and pinch the needle holder clamp and pull back.



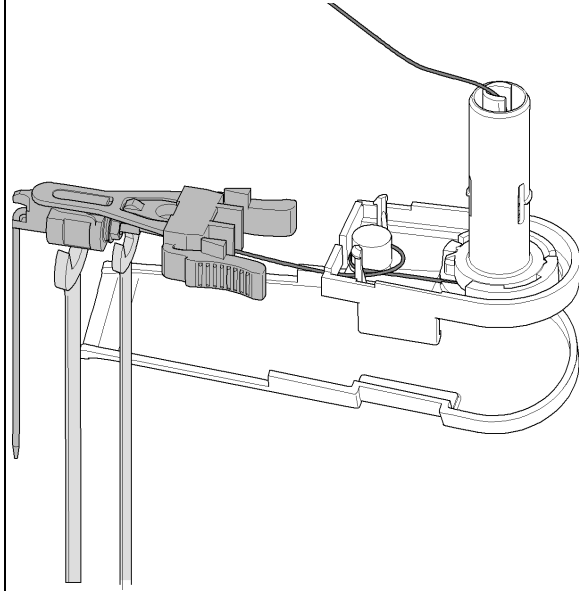
9 Push back and remove the Loop Cap.



10 Push the Loop cartridge downwards through the transport arm and slide it out together with the loop capillary.



11 Remove the needle assembly from the loop cartridge.



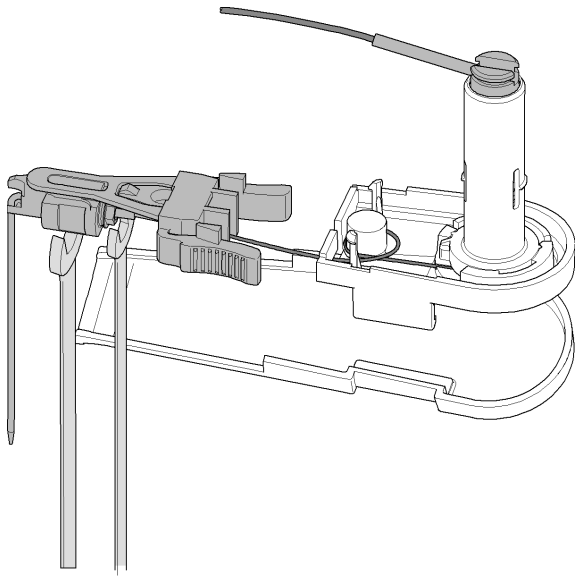
Installing the Loop cartridge

When When installing new loop cartridge

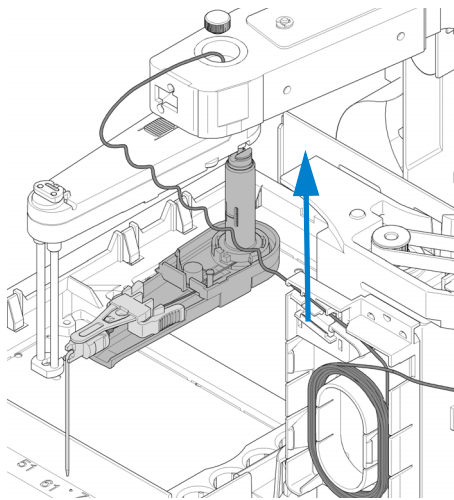
Tools required 8710-0510 ¼ inch wrench
Pozidrive screwdriver #1

- 1 Make sure in the user interface that the maintenance mode has the **Change Loop capillary** function selected.
- 2 Remove the Loop cap from the new loop cartridge.

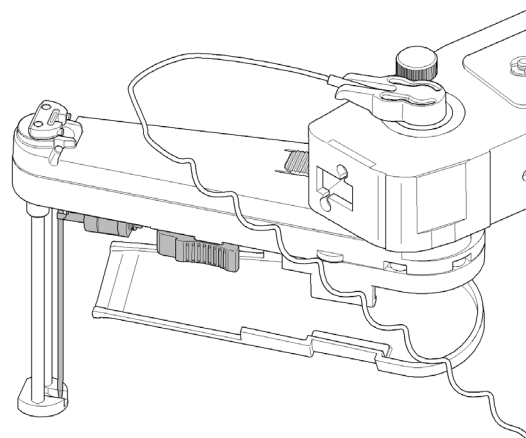
- 3 Attach a needle assembly to the loop cartridge.



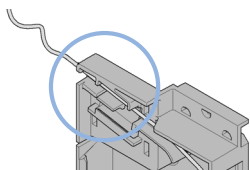
- 4 Guide the loop capillary through the Transport arm and push the loop cartridge into place.



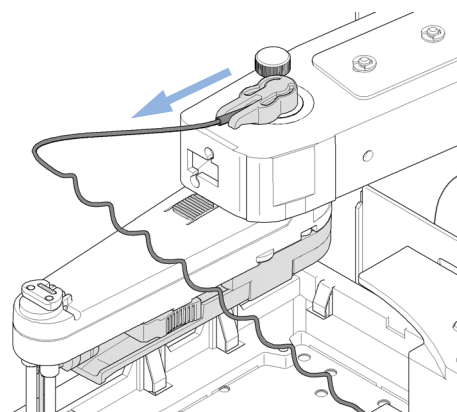
- 5 Pinch the holder clamp and reinsert the needle assembly into the needle carrier. Close the Leak guide.



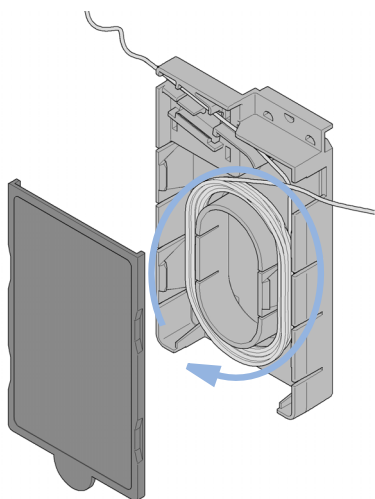
6 Attach the Loop tag to the Loop holder.



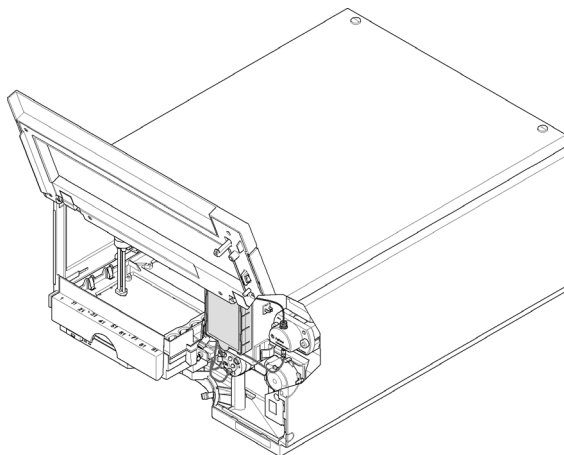
7 Insert and pull forward the loop Cap until it snaps into place.



8 Wind the loop capillary into the loop holder clockwise.



9 Reconnect the Loop capillary to the metering device.



Next Steps:

10 Close the front door.

11 In the user interface exit the **Change Loop capillary** function and exit the maintenance mode. In the Lab Advisor software the **Change Loop capillary** function can be found in the **Tools** section.

Agilent 1290 Infinity Autosampler

© Agilent Technologies 2010
Part Number: **G4226-90133**



G4226-90133

Edition: **07/10**

Printed in Germany
Agilent Technologies
Hewlett-Packard-Strasse 8
76337 Waldbronn