



Installation of the Bio-Inert Solvent Heating Devices



For bio-inert modules use bio-inert parts only!

In this note the installation of the Bio-Inert Solvent Heating Devices (9 μ L internal volume, 600 bar max pressure) (p/n G5616-60050) into the Agilent 1290 Infinity TCC (G1316C) is described. The additional solvent heating devices can be arranged in the G1316C in various locations depending on the application needs. Some examples are shown in [Figure 1](#) on page 2.



Agilent Technologies

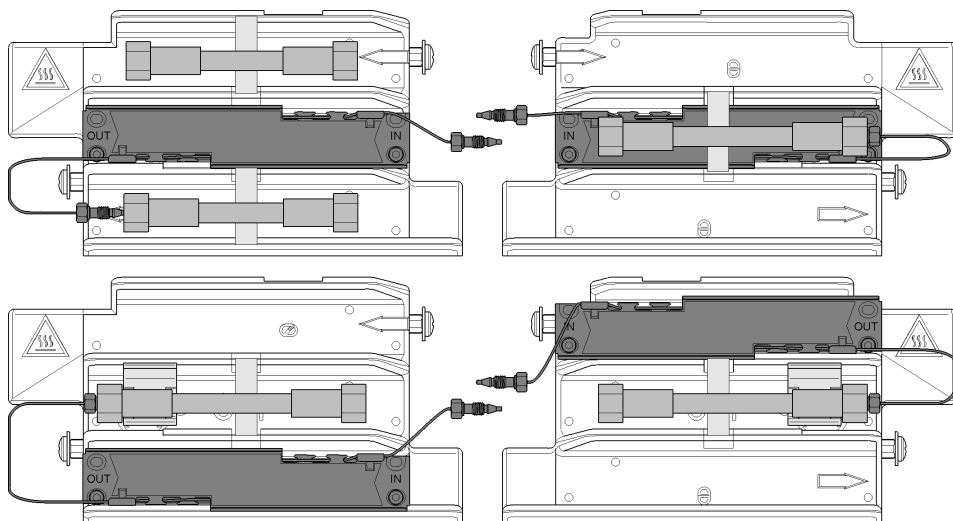


Figure 1 Arrangements of the bio-inert solvent heating devices in the 1290 Series TCC (G1316C)

NOTE

If the solvent heating devices are installed in the central position on the TCC's heat exchangers as shown in [Figure 1](#) on page 2, the column identification system cannot be used.

The solvent heating devices are mounted directly onto the TCC's heat exchangers.

NOTE

Don't forget to remove the protection foil from the heating transfer pad at the rear of the solvent heating device before installation.

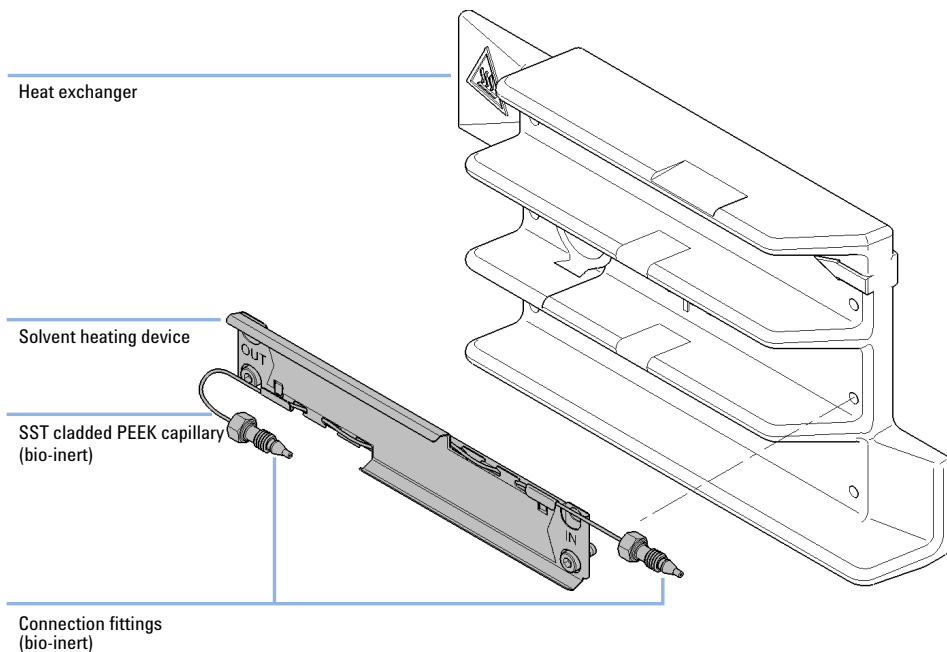


Figure 2 Installing the solvent heating device

CAUTION

Strong force/torque will damage SST clad PEEK capillaries
Be careful when installing stainless steel clad PEEK capillaries.

→ Follow the instructions given in the technical note Installation of Stainless Steel Clad PEEK Capillaries. (p/n G5611-90120).

© Agilent Technologies 2011

Part Number: G1316-90128



Edition: 03/11

Printed in Germany
Agilent Technologies
Hewlett-Packard-Strasse 8
76337 Waldbronn