

# 801 Stirrer



## Manual

8.801.8001EN / 2019-11-27





Metrohm AG

CH-9100 Herisau

Switzerland

Phone +41 71 353 85 85

Fax +41 71 353 89 01

[info@metrohm.com](mailto:info@metrohm.com)

[www.metrohm.com](http://www.metrohm.com)

# **801 Stirrer**

## **Manual**

Technical Communication  
Metrohm AG  
CH-9100 Herisau  
techcom@metrohm.com

This documentation is protected by copyright. All rights reserved.

This documentation has been prepared with great care. However, errors can never be entirely ruled out. Please send comments regarding possible errors to the address above.

# Table of contents

<b>1</b>	<b>Introduction</b>	<b>1</b>
<b>1.1</b>	<b>Instrument description</b>	<b>1</b>
<b>1.2</b>	<b>About the documentation</b>	<b>1</b>
1.2.1	Symbols and conventions	1
<b>1.3</b>	<b>Safety instructions</b>	<b>2</b>
1.3.1	General notes on safety	2
1.3.2	Electrical safety	2
1.3.3	Working with liquids	3
1.3.4	Flammable solvents and chemicals	3
1.3.5	Recycling and disposal	4
<b>2</b>	<b>Overview of the instrument</b>	<b>5</b>
<b>3</b>	<b>Installation</b>	<b>6</b>
<b>3.1</b>	<b>Setting up the instrument</b>	<b>6</b>
3.1.1	Packaging	6
3.1.2	Checks	6
3.1.3	Location	6
<b>3.2</b>	<b>Mounting the 801 Stirrer</b>	<b>7</b>
<b>3.3</b>	<b>Connecting the 801 Stirrer</b>	<b>9</b>
<b>4</b>	<b>Technical specifications</b>	<b>11</b>
<b>4.1</b>	<b>Rotational speed</b>	<b>11</b>
<b>4.2</b>	<b>Power supply</b>	<b>11</b>
<b>4.3</b>	<b>Ambient temperature</b>	<b>11</b>
<b>4.4</b>	<b>Dimensions</b>	<b>11</b>
<b>4.5</b>	<b>Material</b>	<b>12</b>
<b>5</b>	<b>Accessories</b>	<b>13</b>



## Table of figures

Figure 1	Front 801 Stirrer .....	5
Figure 2	Rear 801 Stirrer .....	5
Figure 3	Connecting the 801 Stirrer .....	9
Figure 4	Connecting the Dosino to the 801 Stirrer. ....	10

# 1 Introduction

## 1.1 Instrument description

The magnetic stirrer 801 Stirrer including base plate, support rod and electrode holder supplements the Titrino plus, Titrandos, Sample Processors, 805 Dosimats and 780/781 pH Meter.

It is directly connected to an analysis device via an MSB connection cable.

## 1.2 About the documentation






### CAUTION




Please read through this documentation carefully before putting the instrument into operation. The documentation contains information and warnings which the user must follow in order to ensure safe operation of the instrument.

### 1.2.1 Symbols and conventions

The following symbols and styles are used in this documentation:

(5-12)	<p><b>Cross-reference to figure legend</b></p> <p>The first number refers to the figure number, the second to the instrument part in the figure.</p>
1	<p><b>Instruction step</b></p> <p>Carry out these steps in the sequence shown.</p>
	<p><b>Warning</b></p> <p>This symbol draws attention to a possible life hazard or risk of injury.</p>
	<p><b>Warning</b></p> <p>This symbol draws attention to a possible hazard due to electrical current.</p>
	<p><b>Warning</b></p> <p>This symbol draws attention to a possible hazard due to heat or hot instrument parts.</p>



	<p><b>Warning</b></p> <p>This symbol draws attention to a possible biological hazard.</p>
	<p><b>Caution</b></p> <p>This symbol draws attention to a possible damage of instruments or instrument parts.</p>
	<p><b>Note</b></p> <p>This symbol marks additional information and tips.</p>

## 1.3 Safety instructions

### 1.3.1 General notes on safety



**WARNING**

---

Operate this instrument only according to the information contained in this documentation.

This instrument left the factory in a flawless state in terms of technical safety. To maintain this state and ensure non-hazardous operation of the instrument, the following instructions must be observed carefully.

### 1.3.2 Electrical safety

The electrical safety when working with the instrument is ensured as part of the international standard IEC 61010.



**WARNING**

---

Only personnel qualified by Metrohm are authorized to carry out service work on electronic components.



**WARNING**

---

Never open the housing of the instrument. The instrument could be damaged by this. There is also a risk of serious injury if live components are touched.

There are no parts inside the housing which can be serviced or replaced by the user.



### Supply voltage



#### WARNING

An incorrect supply voltage can damage the instrument.

Only operate this instrument with a supply voltage specified for it (see rear panel of the instrument).

### Protection against electrostatic charges



#### WARNING

Electronic components are sensitive to electrostatic charges and can be destroyed by discharges.

Do not fail to pull the power cord out of the power socket before you set up or disconnect electrical plug connections at the rear of the instrument.

### 1.3.3 Working with liquids



#### CAUTION

Periodically check all system connections for leaks. Observe the relevant regulations in respect to working with flammable and/or toxic fluids and their disposal.

### 1.3.4 Flammable solvents and chemicals



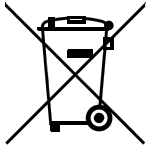
#### WARNING

All relevant safety measures are to be observed when working with flammable solvents and chemicals.

- Set up the instrument in a well-ventilated location (e.g. fume cupboard).
- Keep all sources of flame far from the workplace.
- Clean up spilled liquids and solids immediately.
- Follow the safety instructions of the chemical manufacturer.



### 1.3.5 Recycling and disposal



This product is covered by European Directive 2012/19/EU, WEEE – Waste Electrical and Electronic Equipment.

The correct disposal of your old instrument will help to prevent negative effects on the environment and public health.

More details about the disposal of your old instrument can be obtained from your local authorities, from waste disposal companies or from your local dealer.

## 2 Overview of the instrument

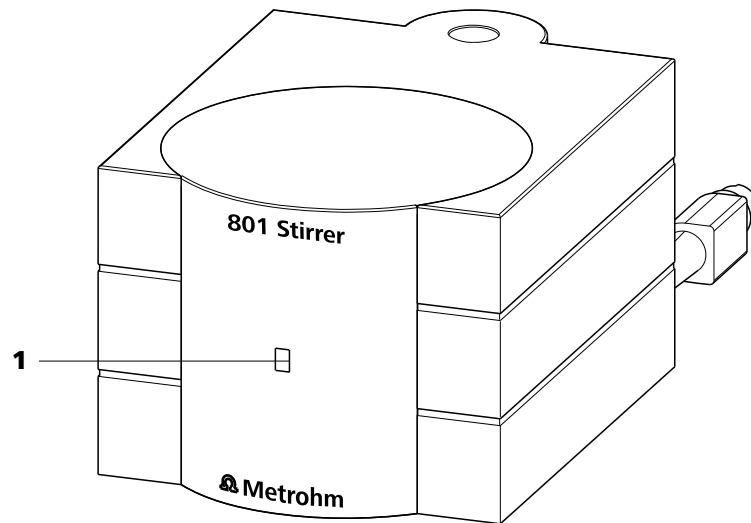


Figure 1 Front 801 Stirrer

### 1 LED function display

Lights up, when the stirrer is switched on.

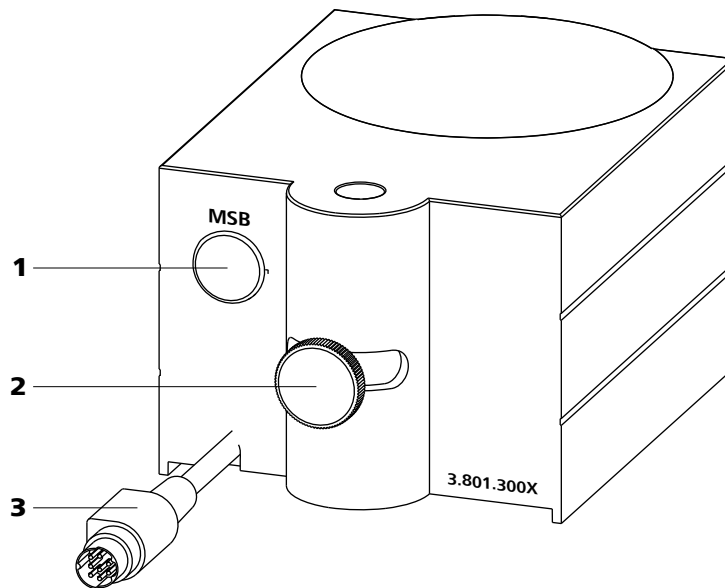


Figure 2 Rear 801 Stirrer

### 1 MSB connector

Metrohm Serial Bus.  
For connecting additional devices.

### 2 Clamping screw

For fixing the positioning height or the swing position of the magnetic stirrer.

### 3 MSB connection cable

For connecting to a control device.



## 3 Installation

### 3.1 Setting up the instrument

#### 3.1.1 Packaging

The instrument is supplied in protective packaging together with the separately packed accessories. Keep this packaging, as only this ensures safe transportation of the instrument.

#### 3.1.2 Checks

Immediately after receipt, check whether the shipment has arrived complete and without damage by comparing it with the delivery note.

#### 3.1.3 Location

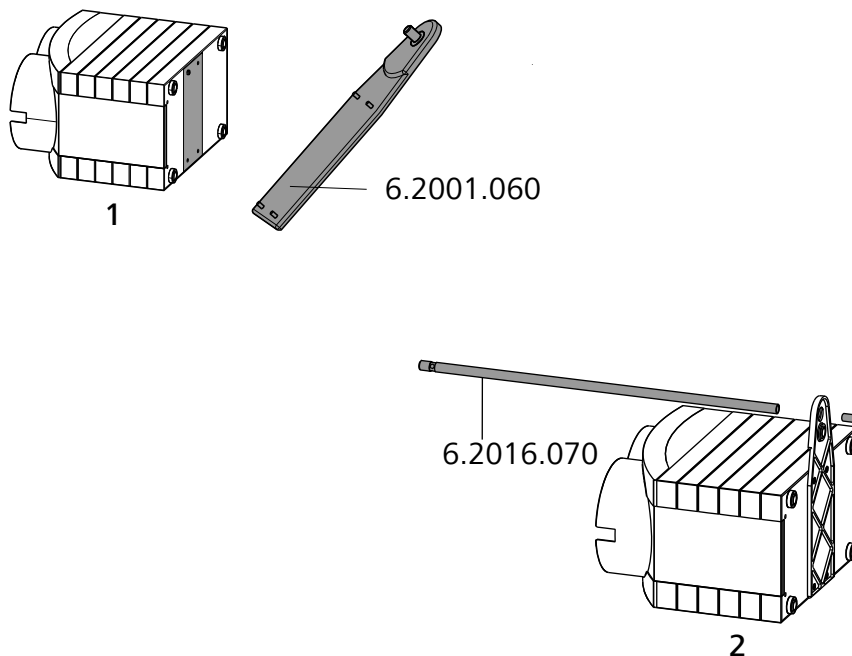
The instrument has been developed for operation indoors and may not be used in explosive environments.

Place the instrument in a location of the laboratory which is suitable for operation and free of vibrations and which provides protection against corrosive atmosphere and contamination by chemicals.

The instrument should be protected against excessive temperature fluctuations and direct sunlight.

## 3.2 Mounting the 801 Stirrer

### Mounting the stand

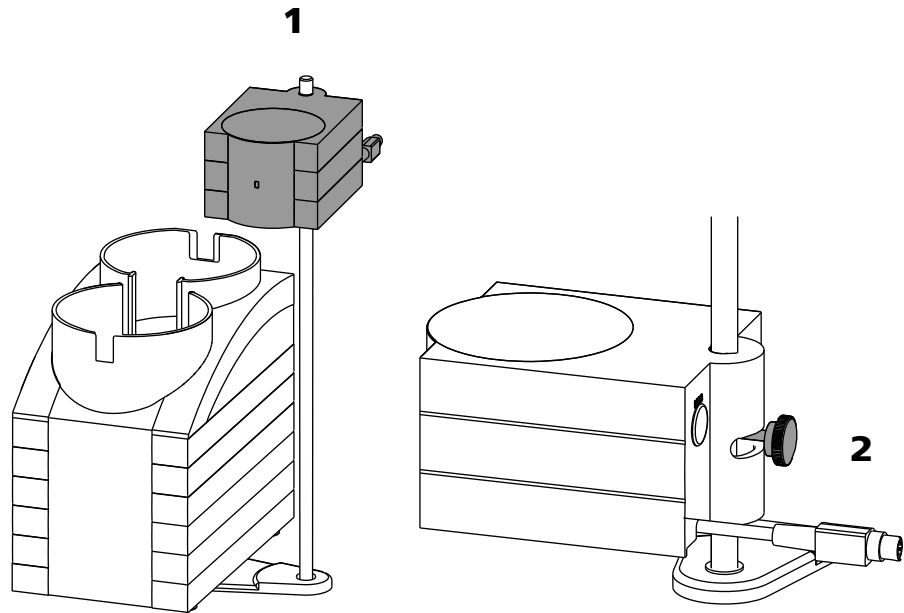


Mount the stand as follows:

- 1** Screw the 6.2001.060 stand plate with the accompanying four screws tightly to the bottom of the instrument.
- 2** Screw the 6.2016.070 stand plate with the hexagon screw (hexagon key supplied) firmly to the stand plate.



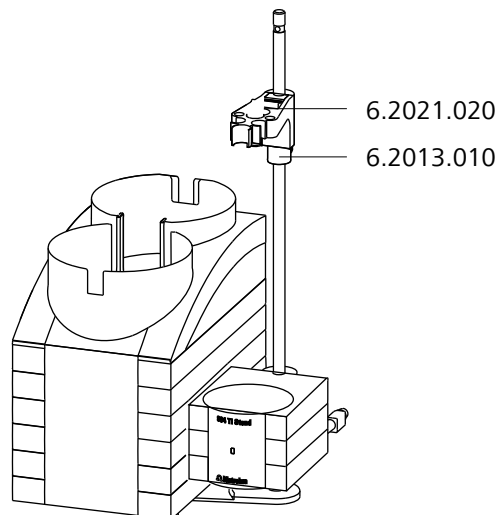
### Fastening the magnetic stirrer



Fasten the magnetic stirrer as follows:

- 1** Attach the magnetic stirrer on the support rod and push it downwards.
- 2** With the clamping screw, fix the positioning height or the swing position of the magnetic stirrer.

### Attaching the clamping ring and the electrode holder



Fasten the clamping ring and the electrode holder as follows:

- 1 Push the 6.2013.010 clamping ring onto the support rod.
- 2 Attach the 6.2021.020 electrode holder on the support rod.
- 3 Keep the red button pressed down and push the electrode holder downwards to the required height.
- 4 Fix the position of the electrode holder with the aid of the clamping ring.

### 3.3 Connecting the 801 Stirrer

Connect the magnetic stirrer as follows:

- 1 Exit the control software.
- 2 Connect the connection cable of the magnetic stirrer to one of the sockets marked with **MSB** on the rear of the control device.

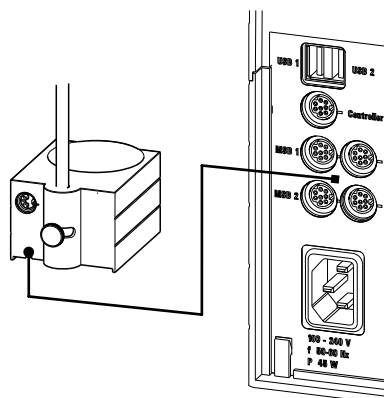


Figure 3 Connecting the 801 Stirrer

- 3 Connecting an additional device (e.g. Dosimat or Dosino) to the MSB connector of the magnetic stirrer.

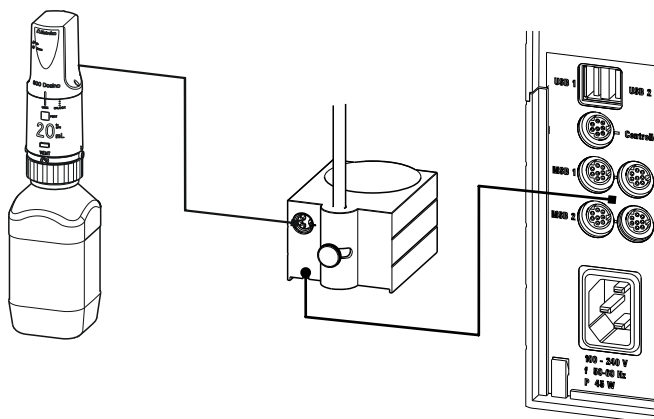


Figure 4 Connecting the Dosino to the 801 Stirrer.

- 4 Start the control software.



## 4 Technical specifications

### 4.1 Rotational speed

*Maximum rotational speed*             $\pm 1700 \dots 1900$  rpm

*Setting of the rotational speed*         $\pm 15$  steps

*Increase of rotational speed per step*         $\pm 115 \dots 125$  U/min

### 4.2 Power supply

*Voltage*                                    +12 V, -12 V, +5 V

*Power consumption*                    4 W

*Fuse*                                        Electronic overload protection

### 4.3 Ambient temperature

*Nominal function range*                +5...+45 °C  
(at a maximum of 85% humidity)

*Storage*                                    -20...+60 °C

*Transport*                                -40...+60 °C

### 4.4 Dimensions

*Width*                                      90 mm

*Height (without stand)*                70 mm

*Height (with stand)*                    430 mm

*Depth*                                      140 mm

*Weight*                                     613 g



## 4.5 Material

Polybutylene terephthalate (PBT)

## 5 Accessories

Up-to-date information on the scope of delivery and optional accessories for your product can be found on the Internet. You can download this information using the article number as follows:

### Downloading the accessories list

- 1 Enter <https://www.metrohm.com/> into your Internet browser.
- 2 Enter the article number (e.g. **801**) into the search field.  
The search result is displayed.
- 3 Click on the product.  
Detailed information regarding the product is shown on various tabs.
- 4 On the **Included parts** tab, click on **Download the PDF**.  
The PDF file with the accessories data is created.



#### NOTICE

Once you have received your new product, we recommend downloading the accessories list from the Internet, printing it out and keeping it together with the manual for reference purposes.